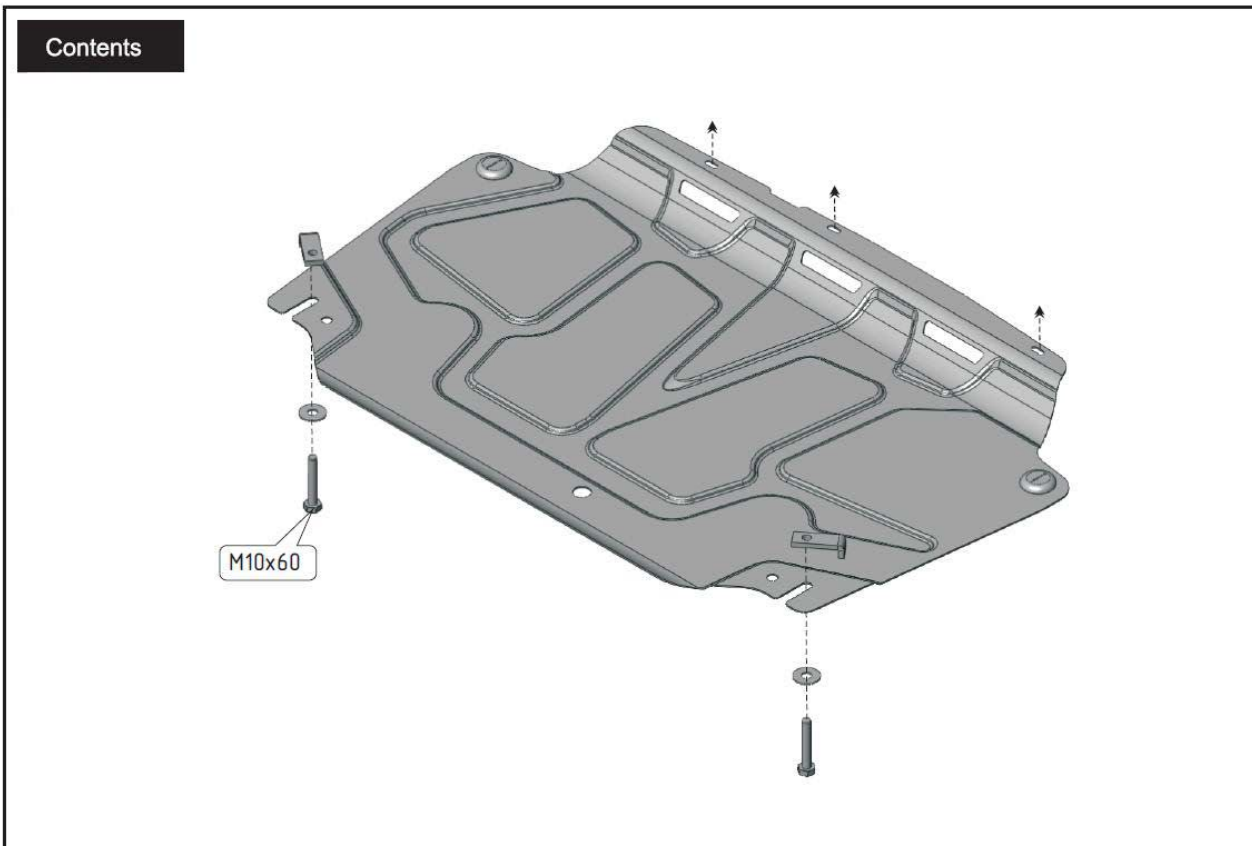




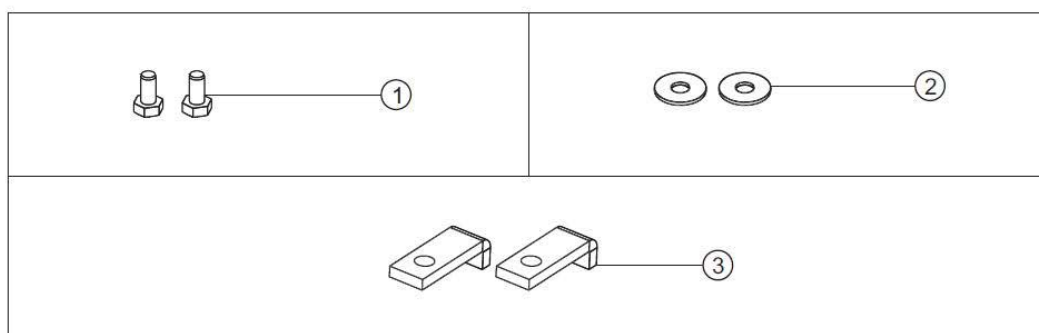
**GB** INSTALLATION INSTRUCTIONS

Description  
Application  
Part number

**ENGINE UNDER GUARD**  
**Hyundai i30**  
10.1564

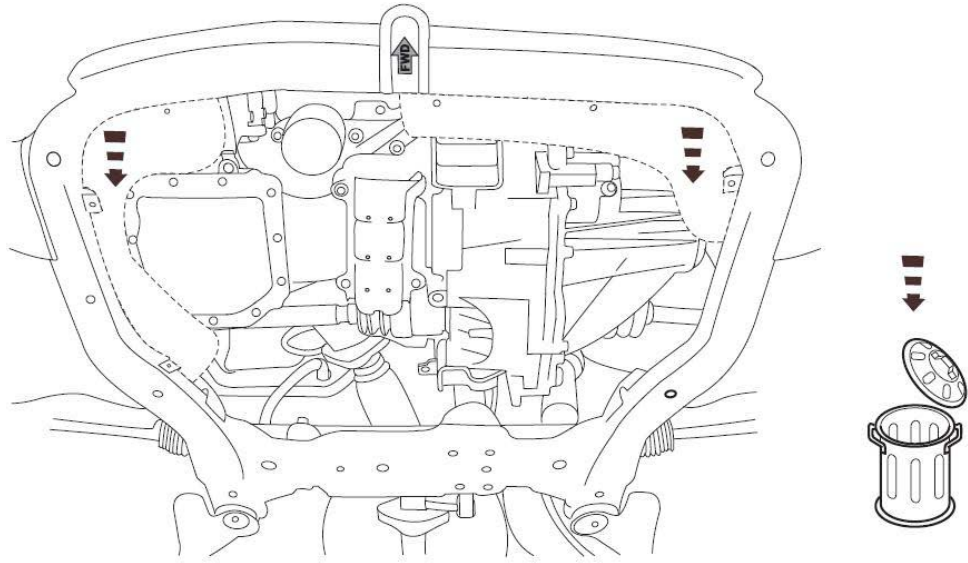


**INSTALLATION KIT**

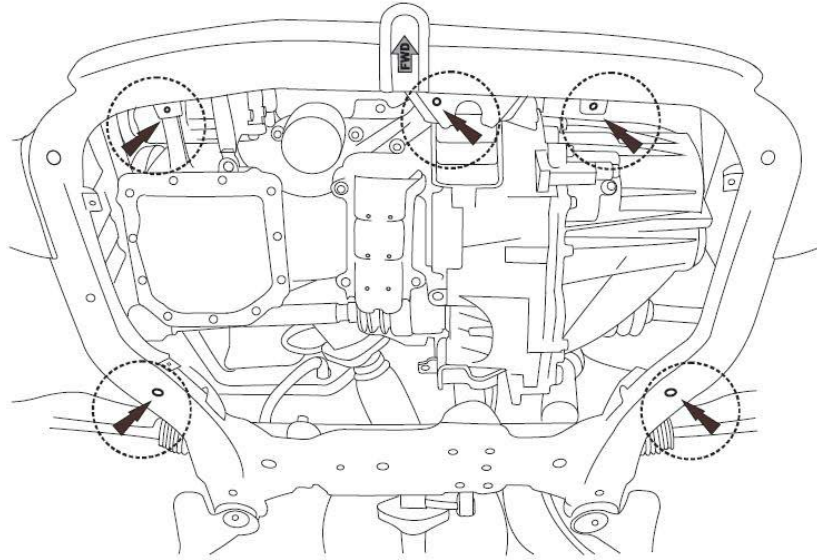


Installation

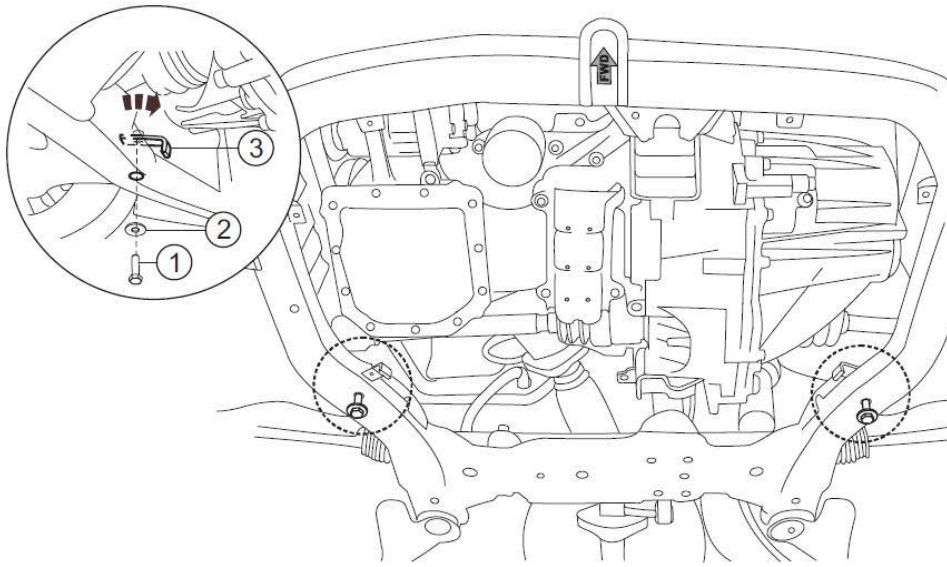
1

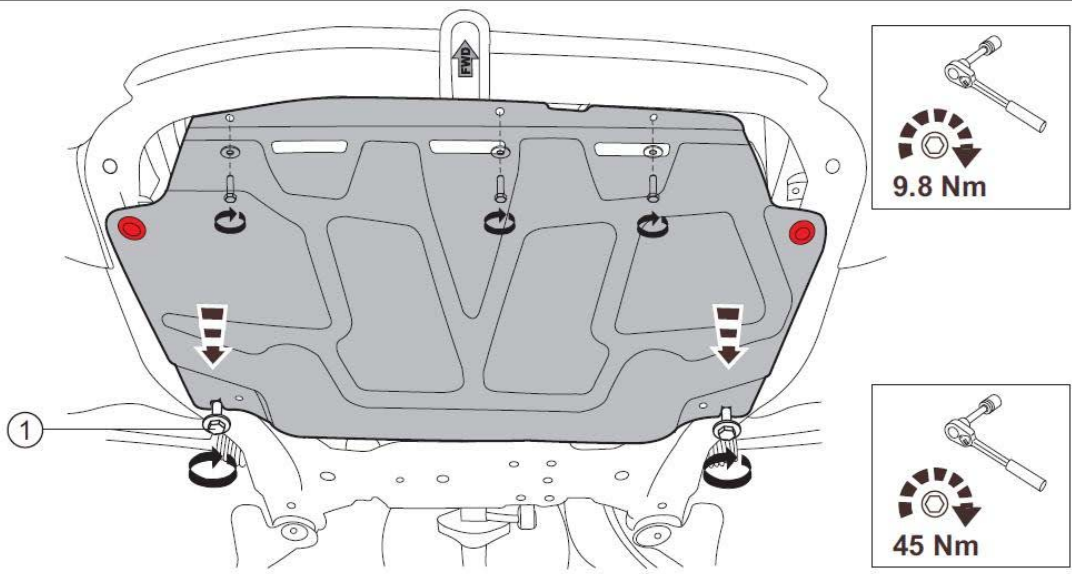


2



3





4