
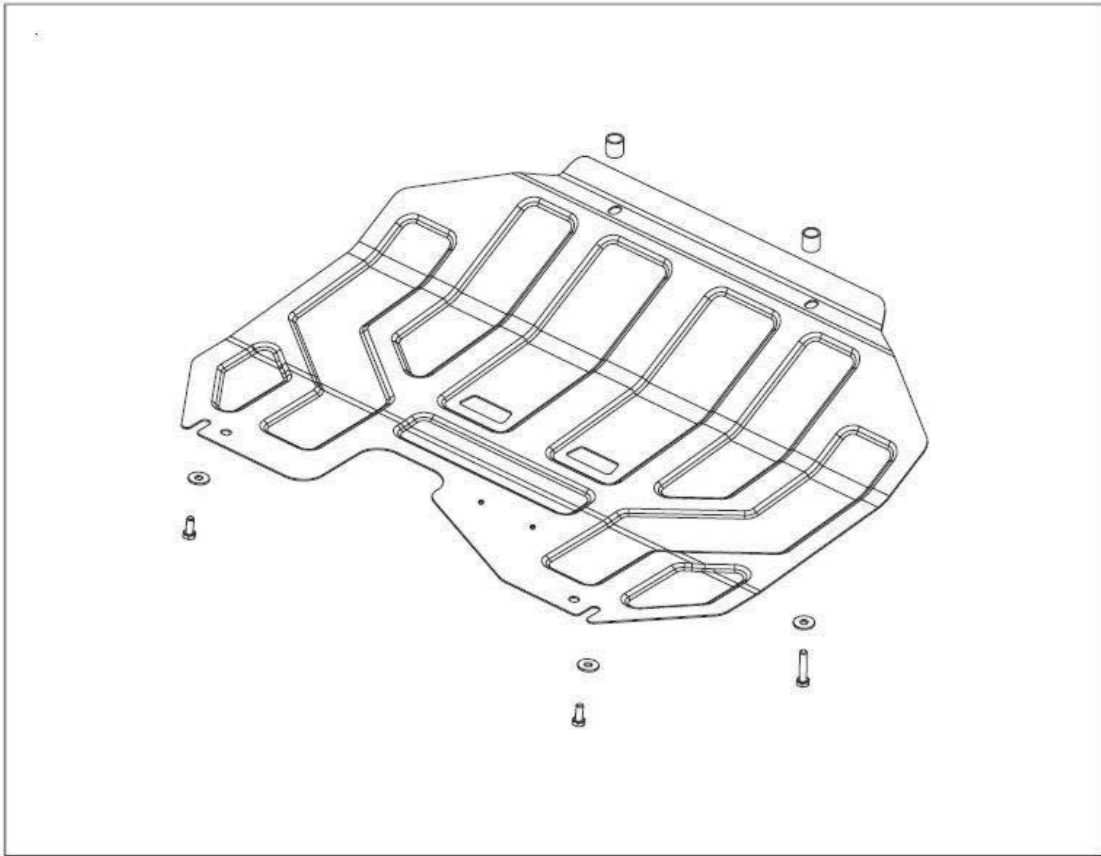


Kia Sportage SL/SLS 2010-	Part number:
	11.1780

Engine bay and transmission case	 Fitting instruction
---	---

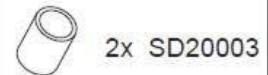
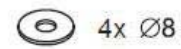
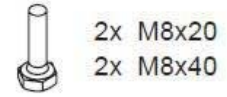
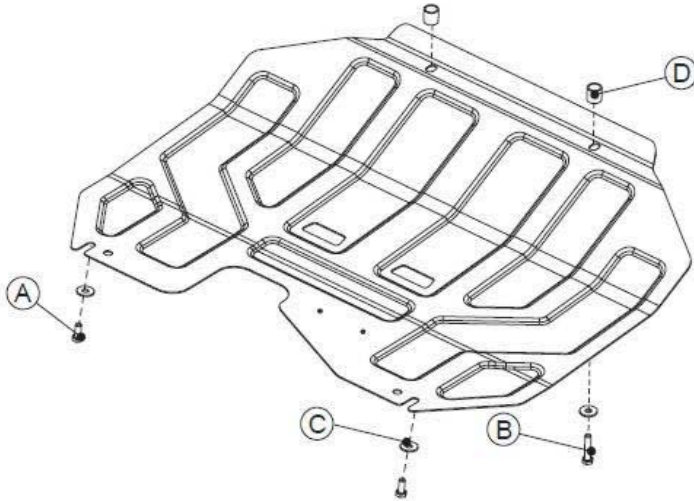


--	--	--	--	--

Kia Sportage SL/SLS 2010-

Part number:

11.1780



GB

Read this mounting manual carefully, before you start the installation.

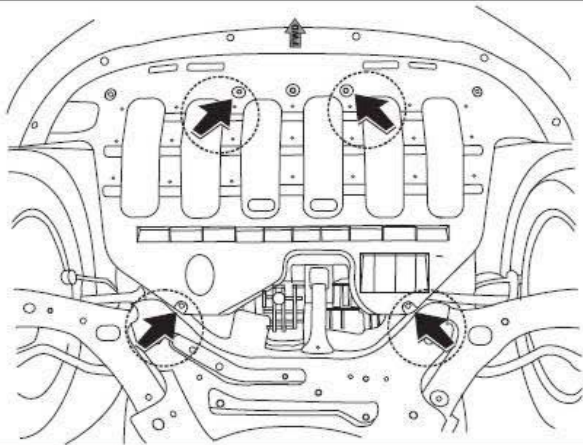
--	--	--	--	--

Kia Sportage SL/SLS 2010-

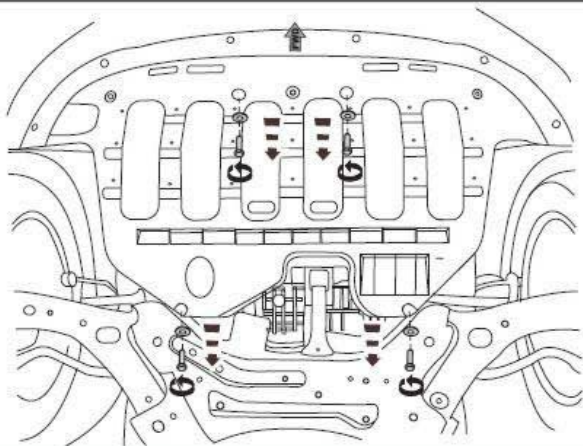
Part number:

11.1780

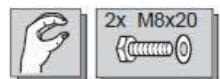
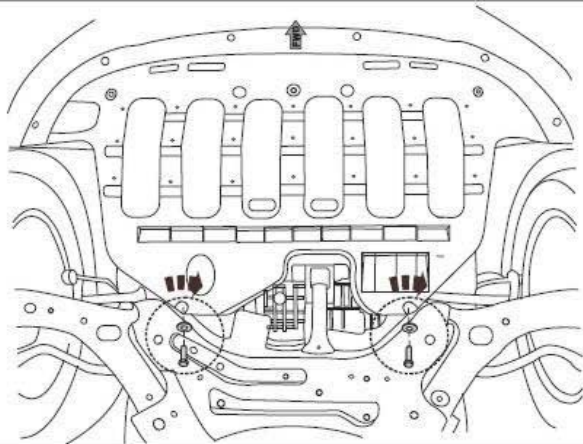
1



2



3



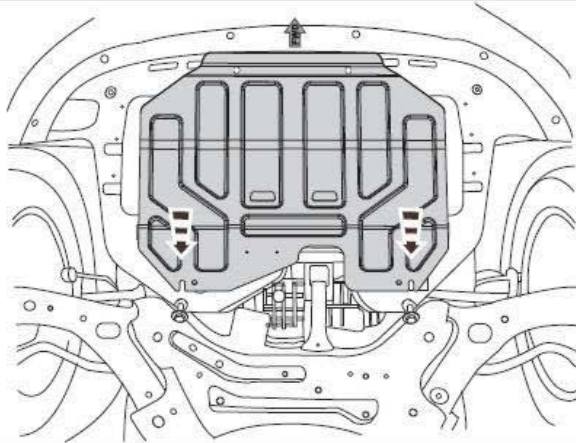
--	--	--	--	--

Kia Sportage SL/SLS 2010-

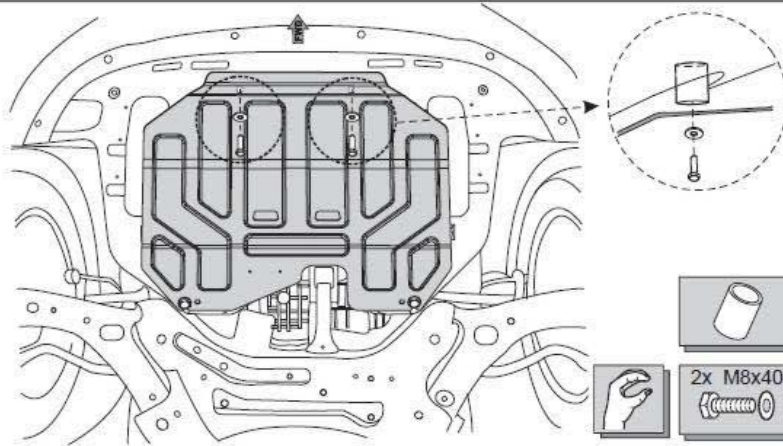
Part number:

11.1780

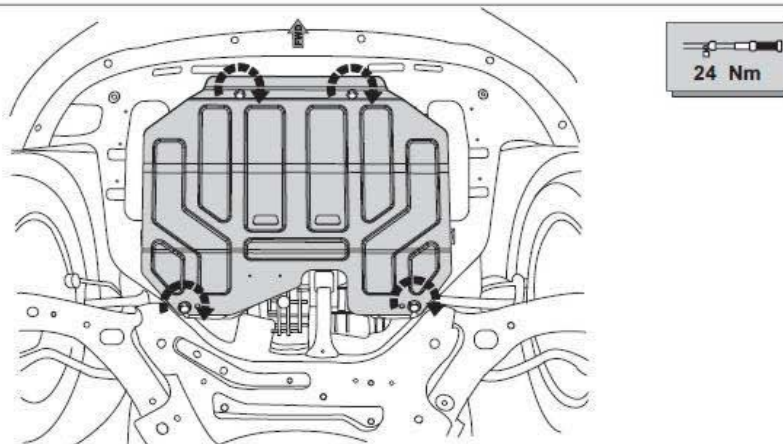
4



5



6



--	--	--	--	--