



# KIA MOTORS

Part name

Engine undercover

Part number

11.1590

## Genuine Accessories Installation Instructions



Model application

2.0; 2.0D

Installation time

30 min

Part number  
11.1590

KIA Motors



**KIA MOTORS**

Part number:

11.1590

Model name

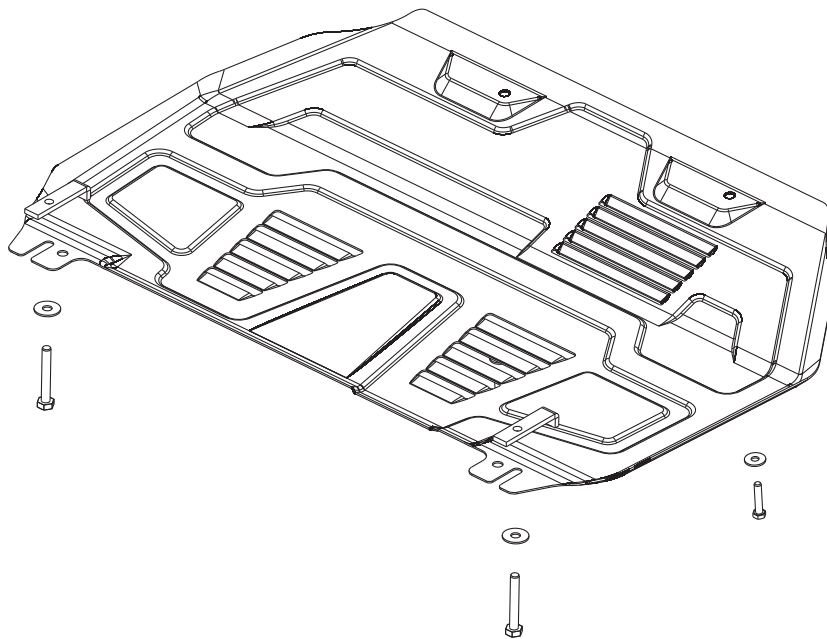
Sportage



Fitting instruction: engine undercover

Model year

2005-



Part number  
11.1590

KIA Motors

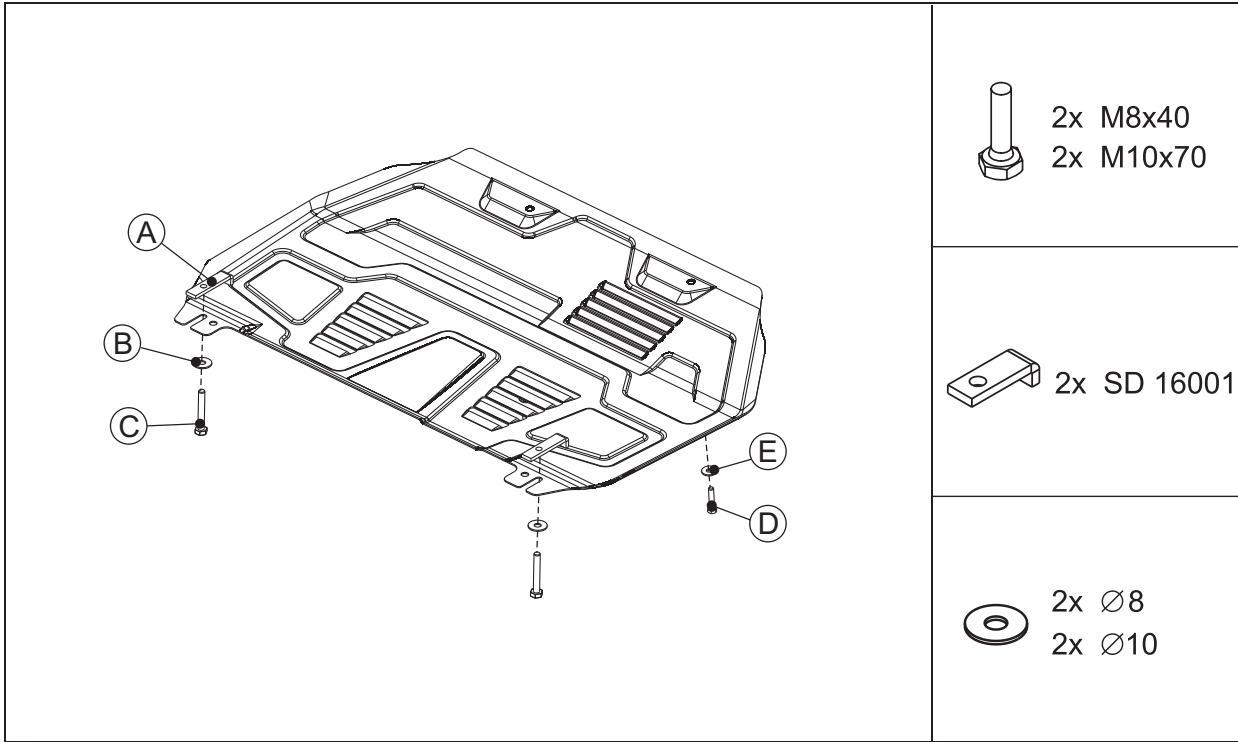
Page  
01



KIA MOTORS

Part number:

11.1590



GB

Read this mounting manual carefully, before you start the installation. Warranty is granted only when installation is done correctly by your KIA dealer.

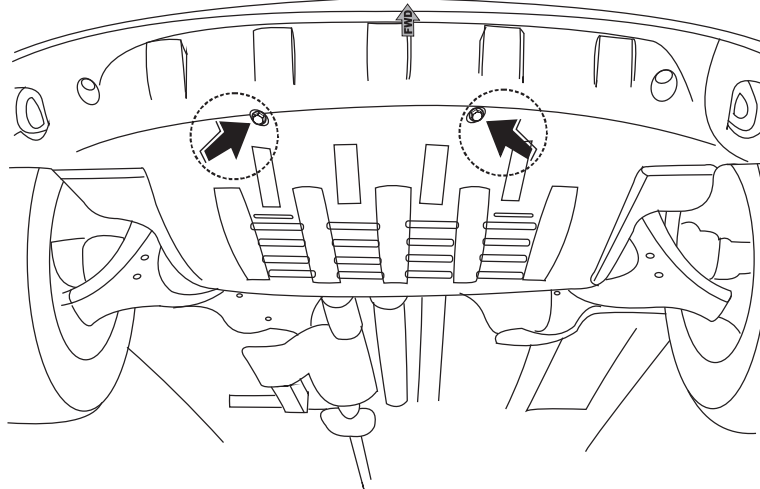


**KIA MOTORS**

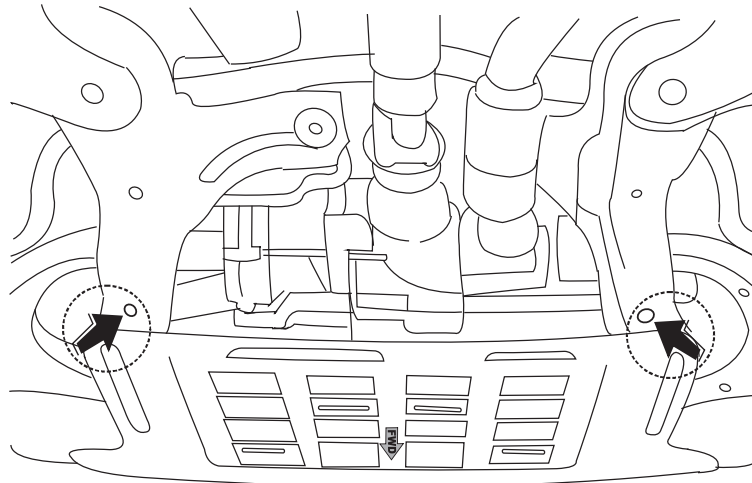
Part number:

11.1590

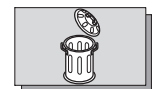
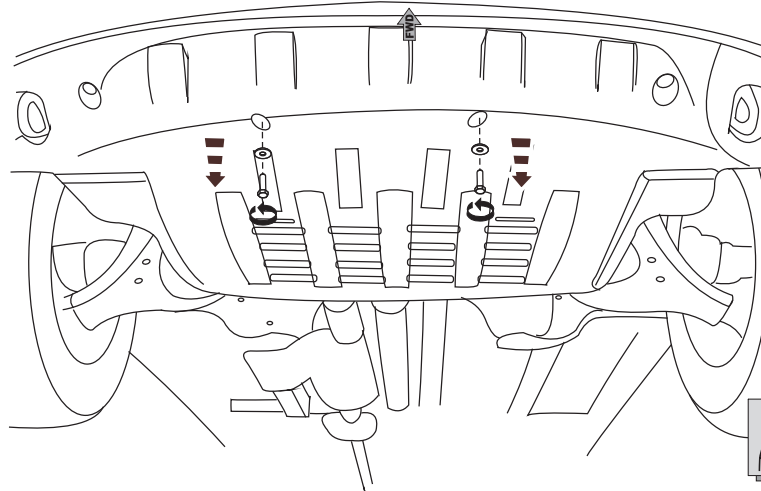
**1**



**2**



**3**



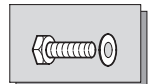
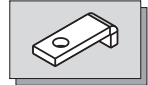
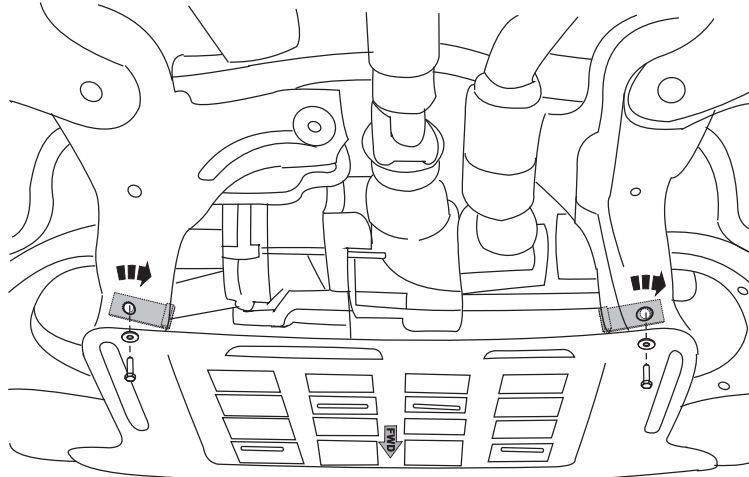


**KIA MOTORS**

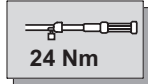
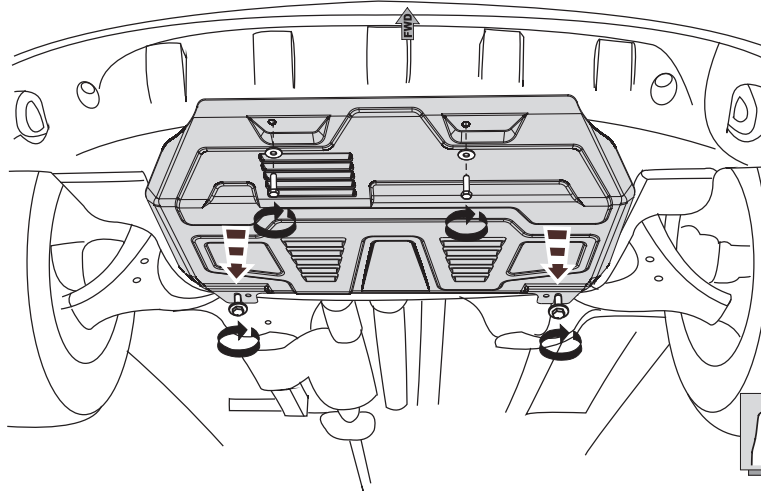
Part number:

11.1590

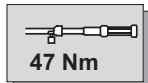
**4**



**5**



24 Nm



47 Nm



**6**

