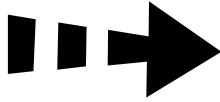


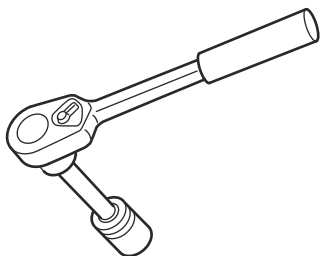
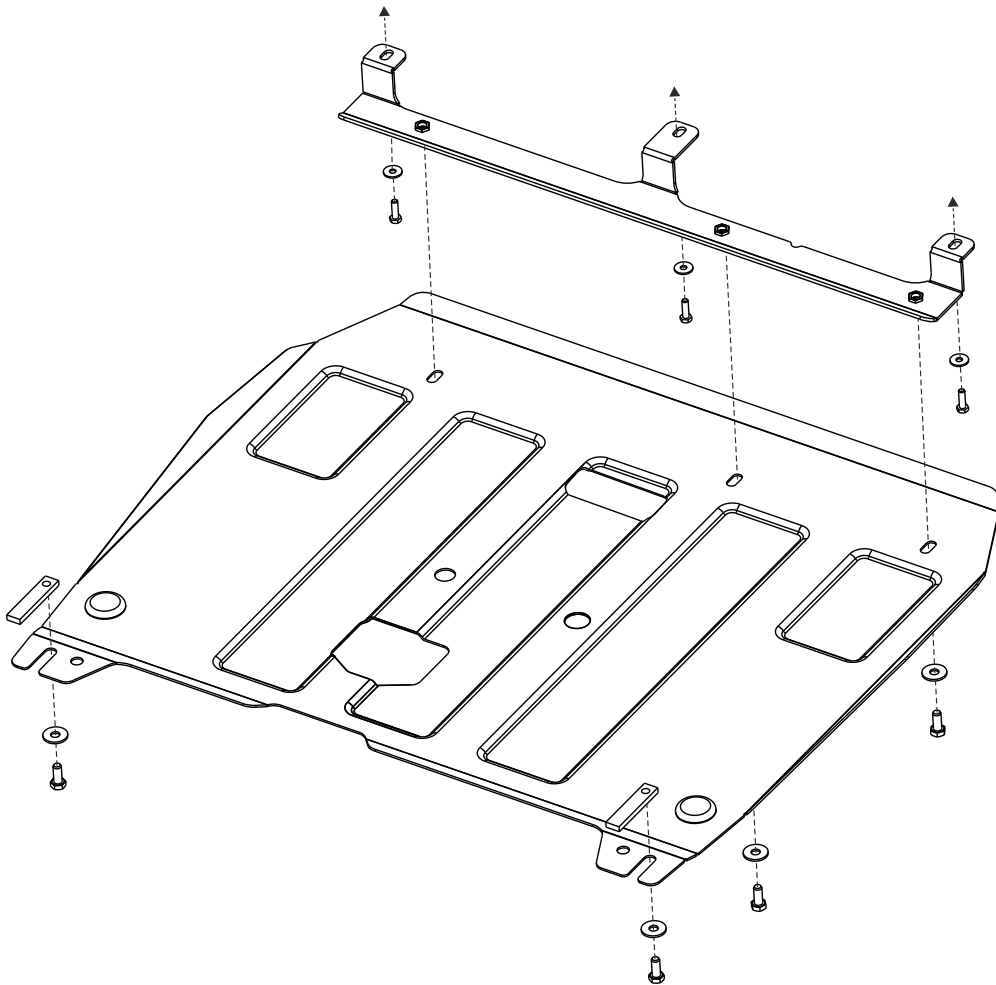
(GB) Location/Position Arrow

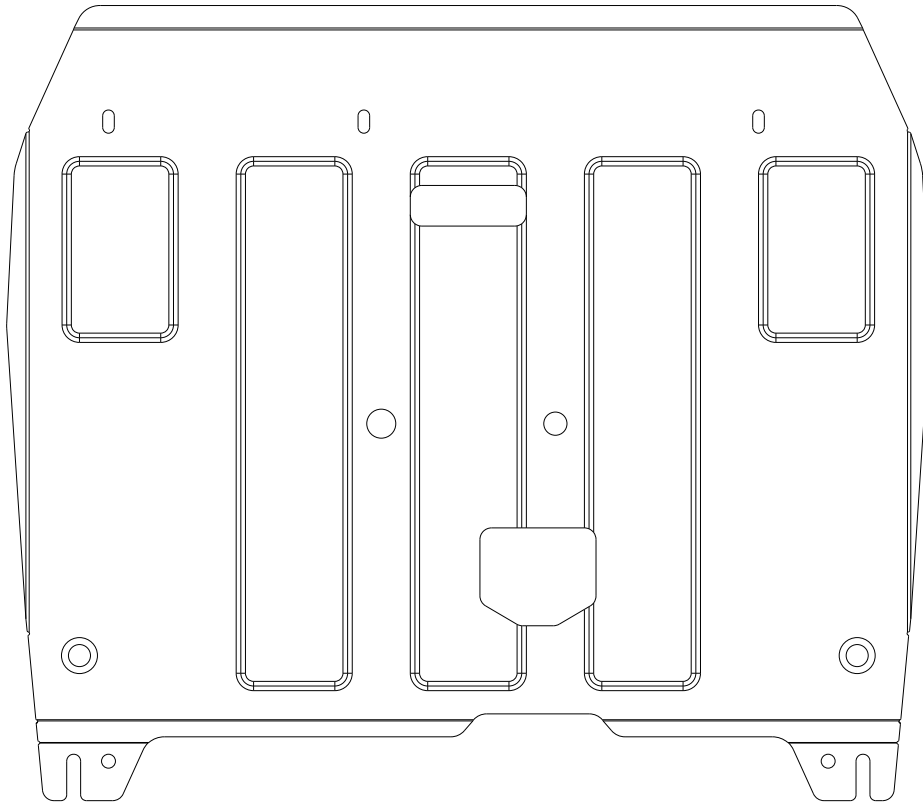
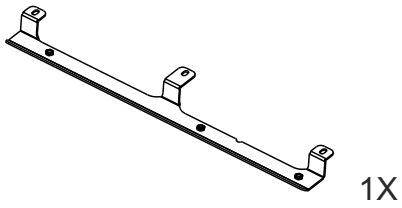
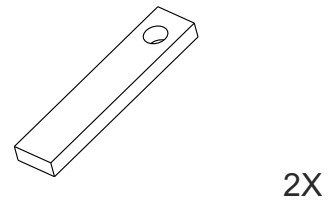
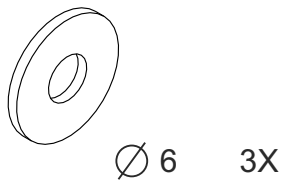
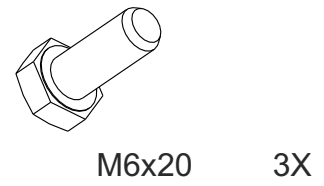
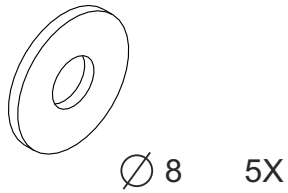
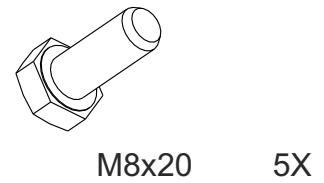


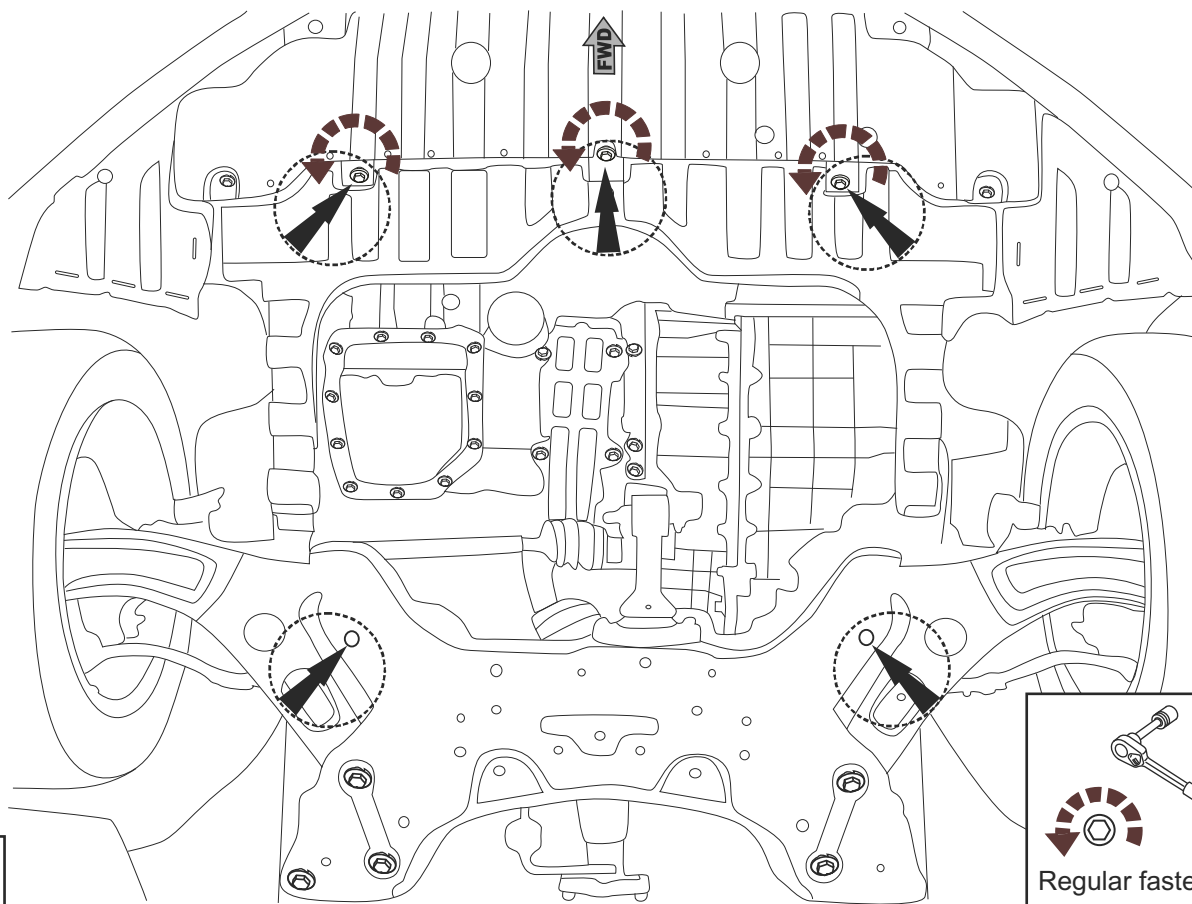
(GB) Movement Arrow



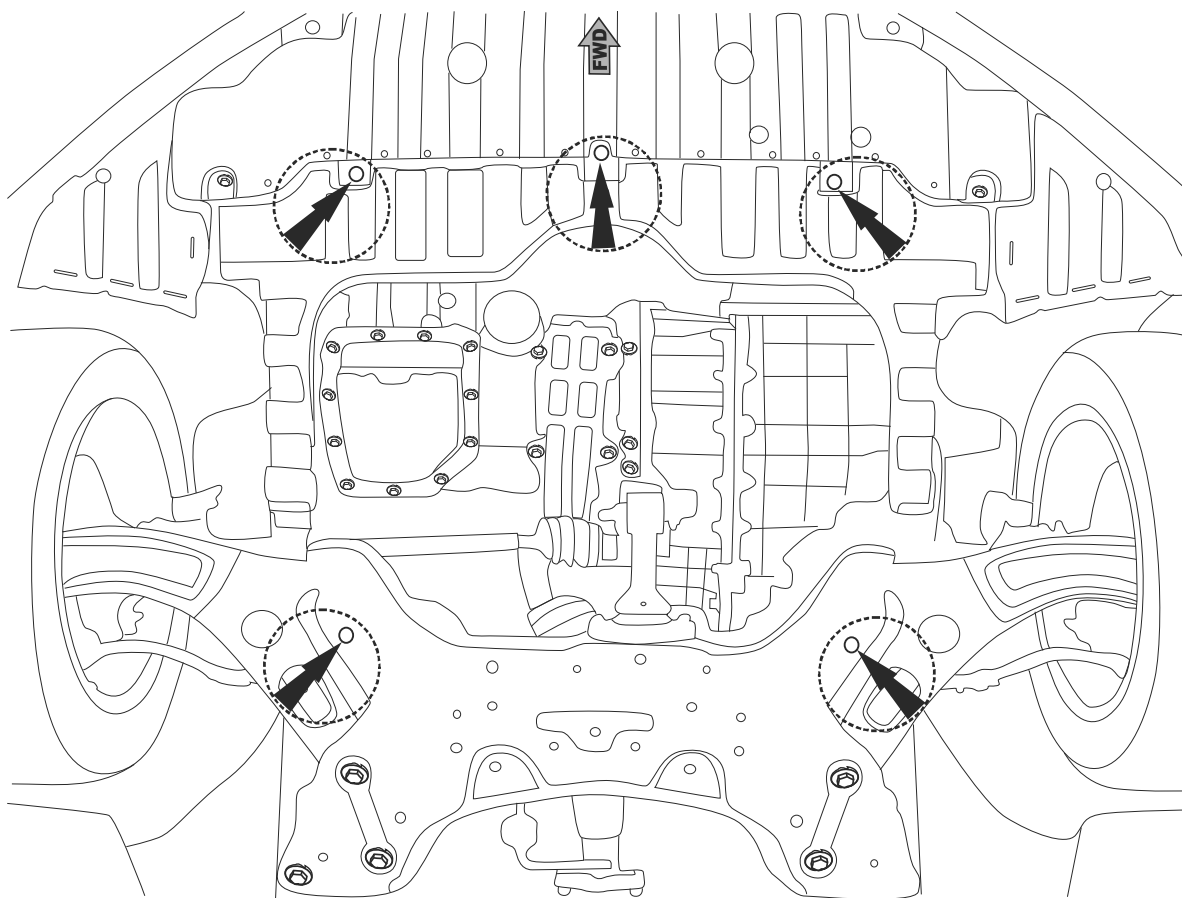
(GB) Screw Arrow



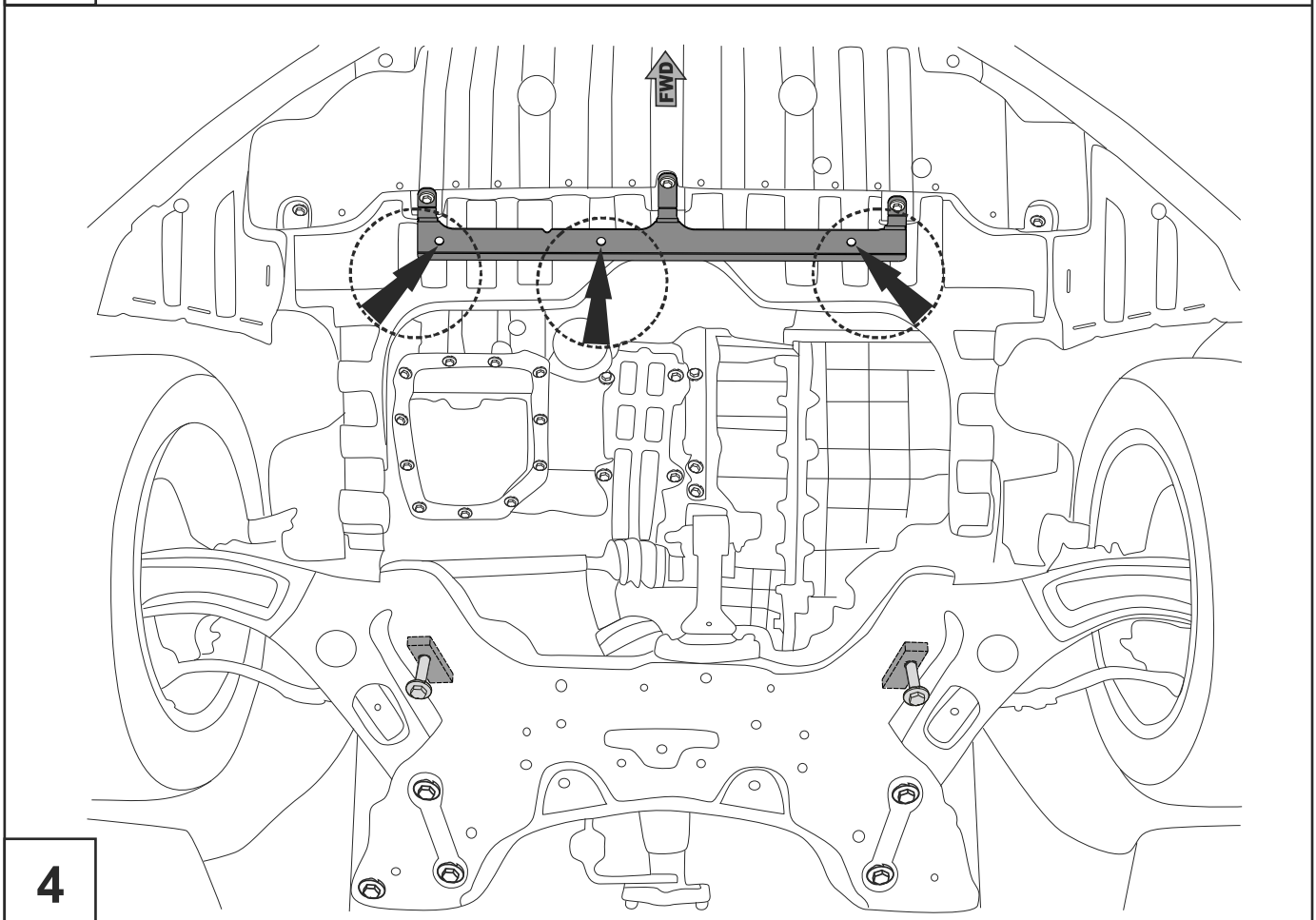
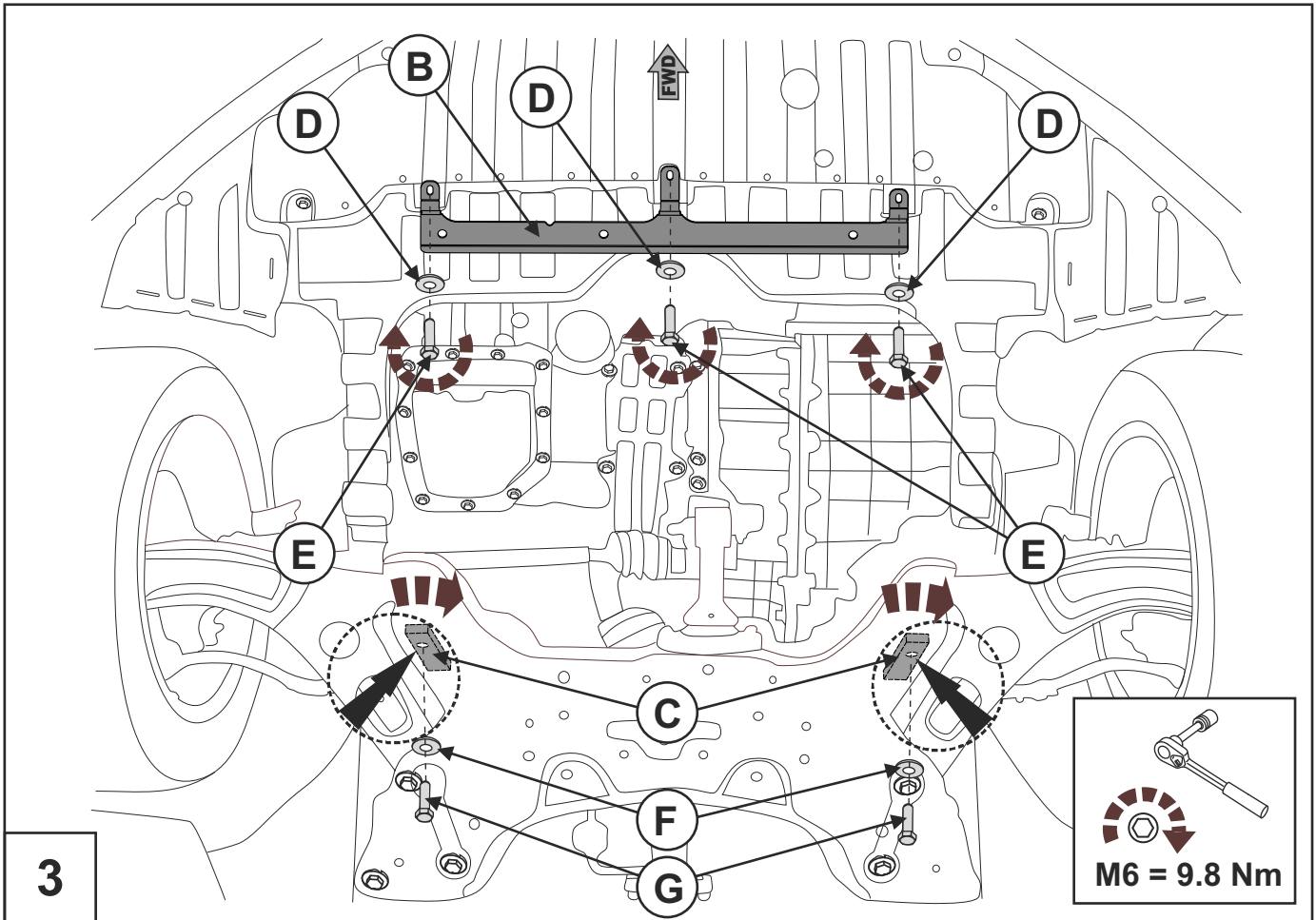
A**B****C****D****E****F****G**

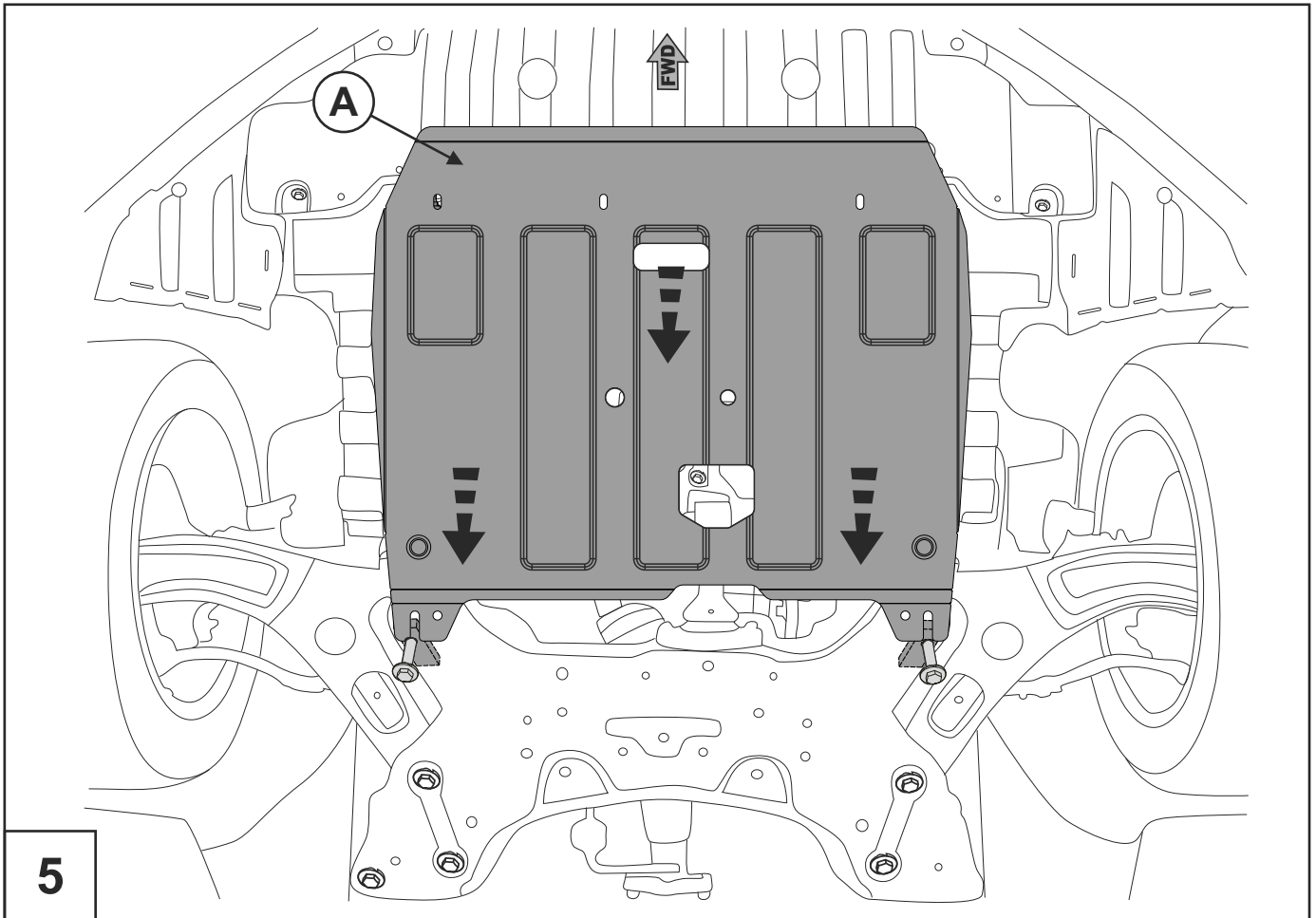


1

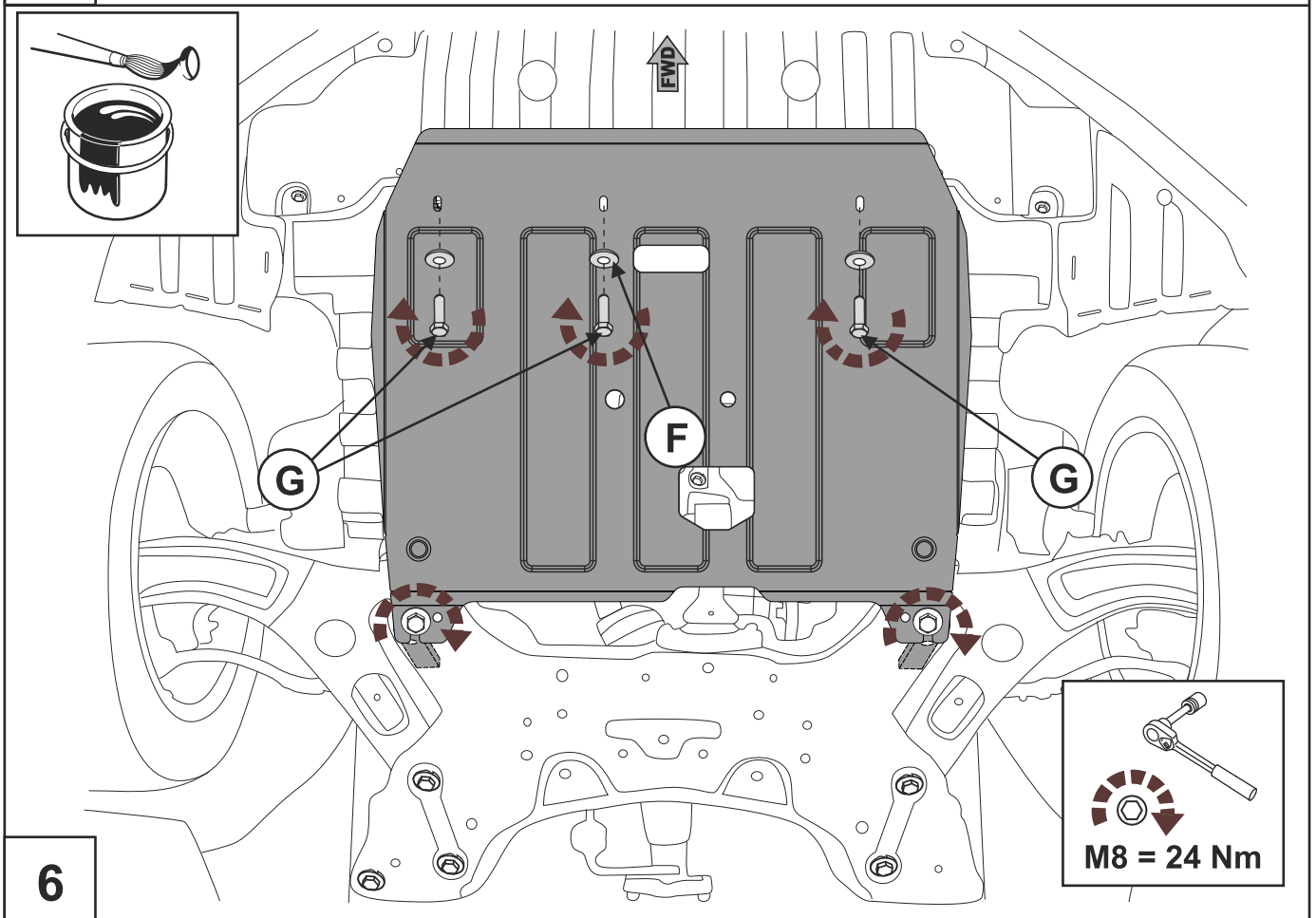


2





5



6

