



LAND ROVER Freelander 2 (2,2SD4; 2.2 TD4 AT case) 2013 

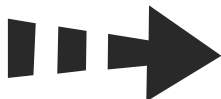
04.2434

23/08/13

1/5



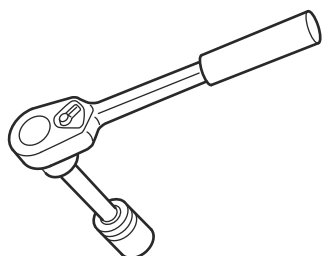
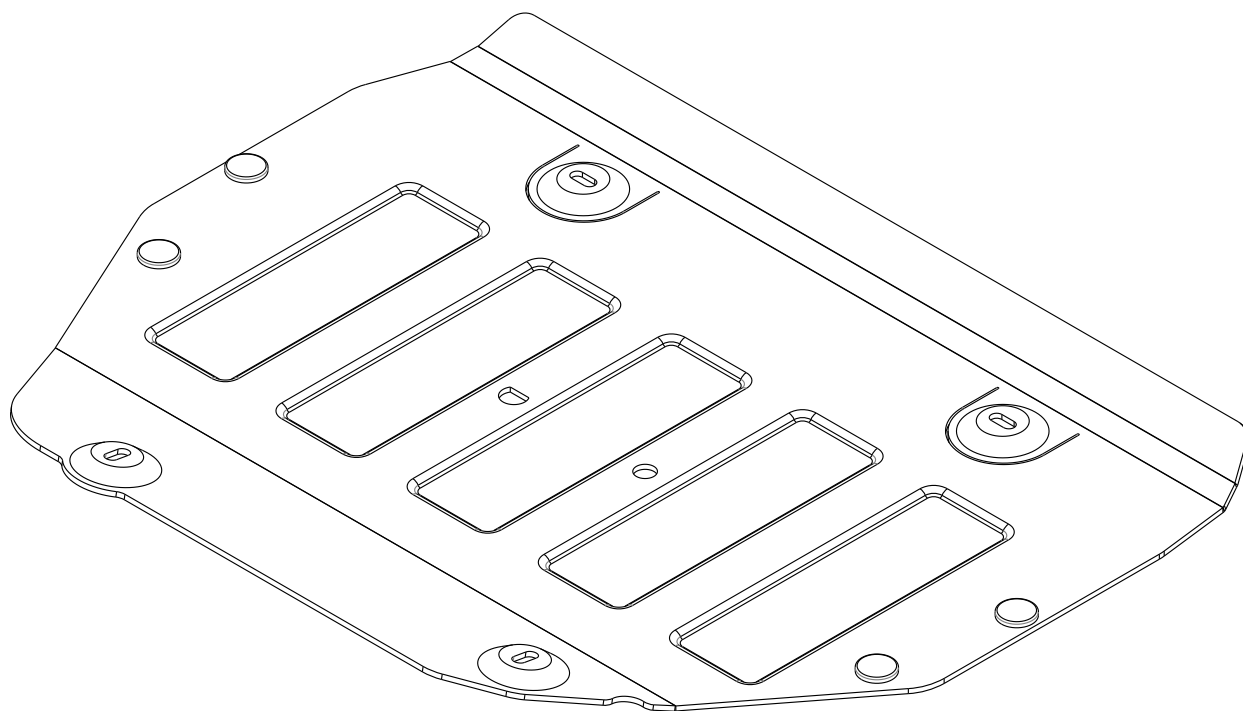
(GB) Location/Position Arrow

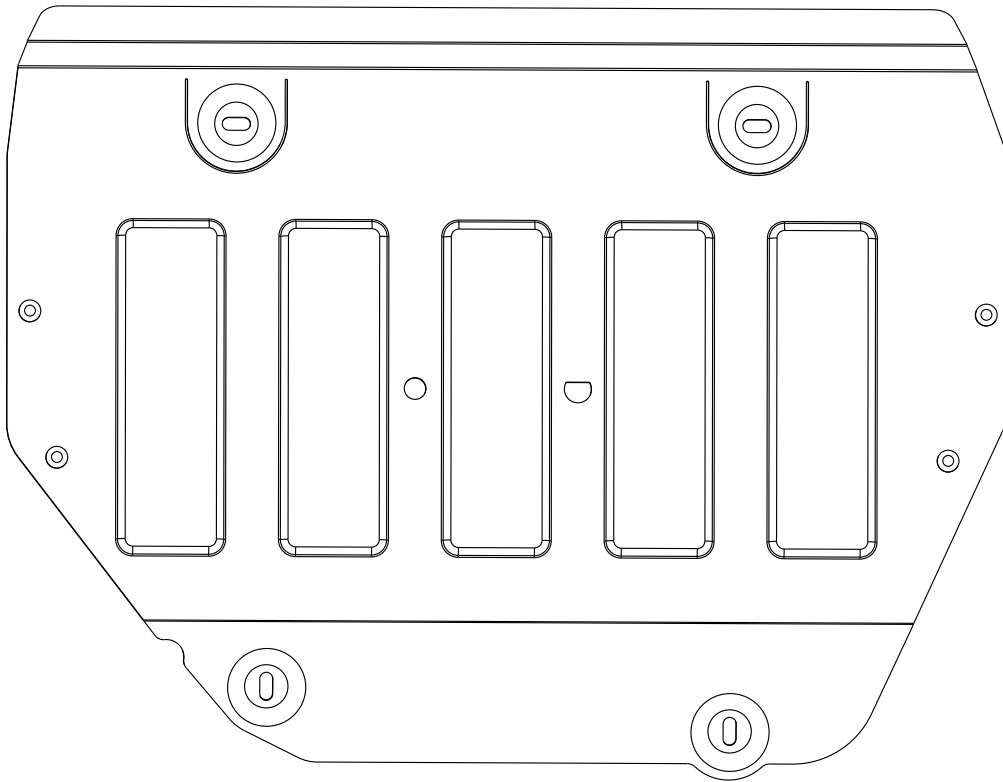


(GB) Movement Arrow

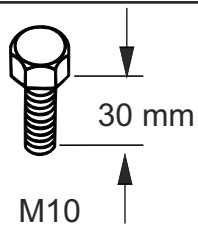


(GB) Screw Arrow



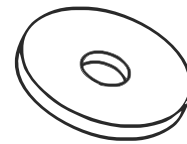
A

1X

B

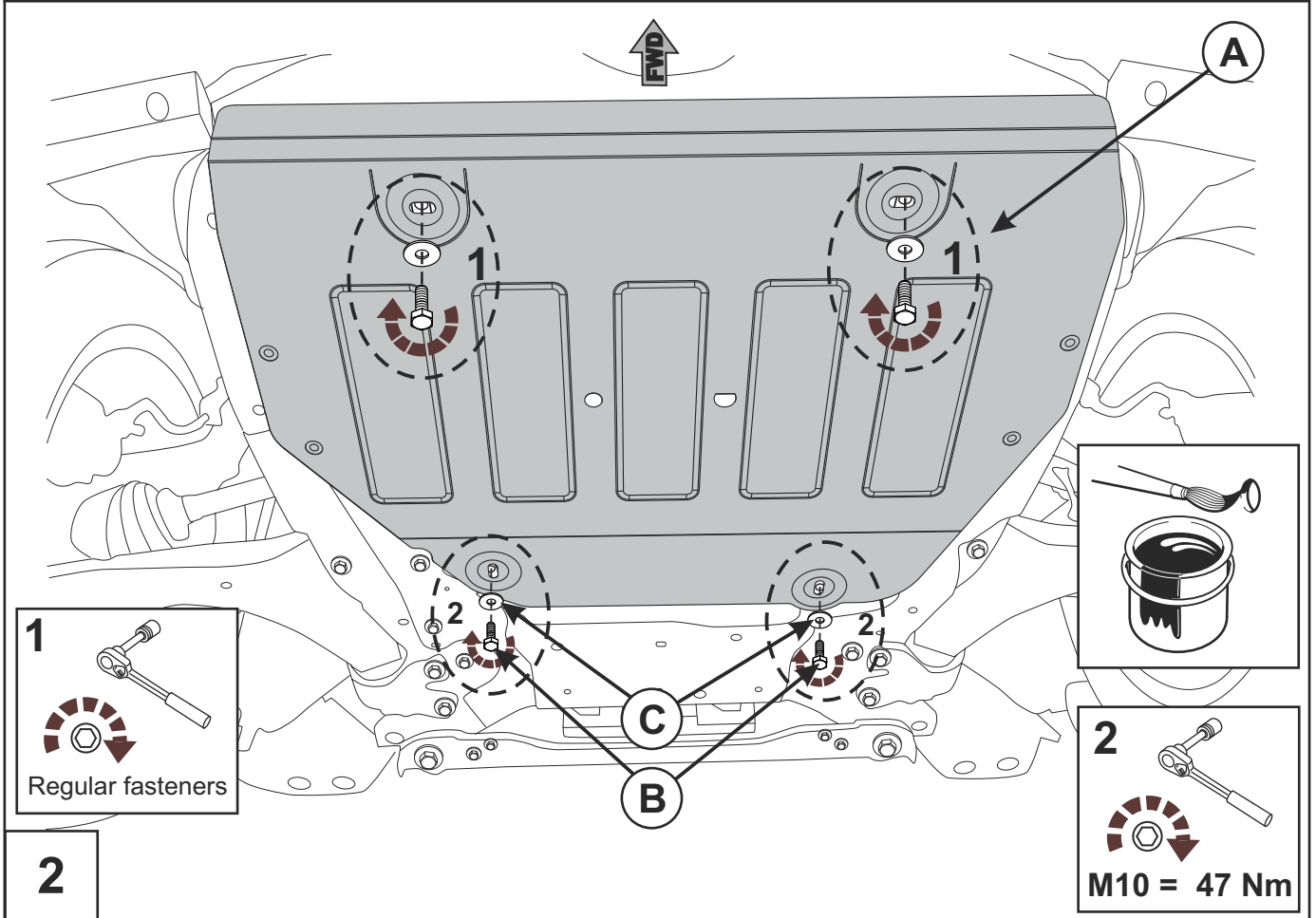
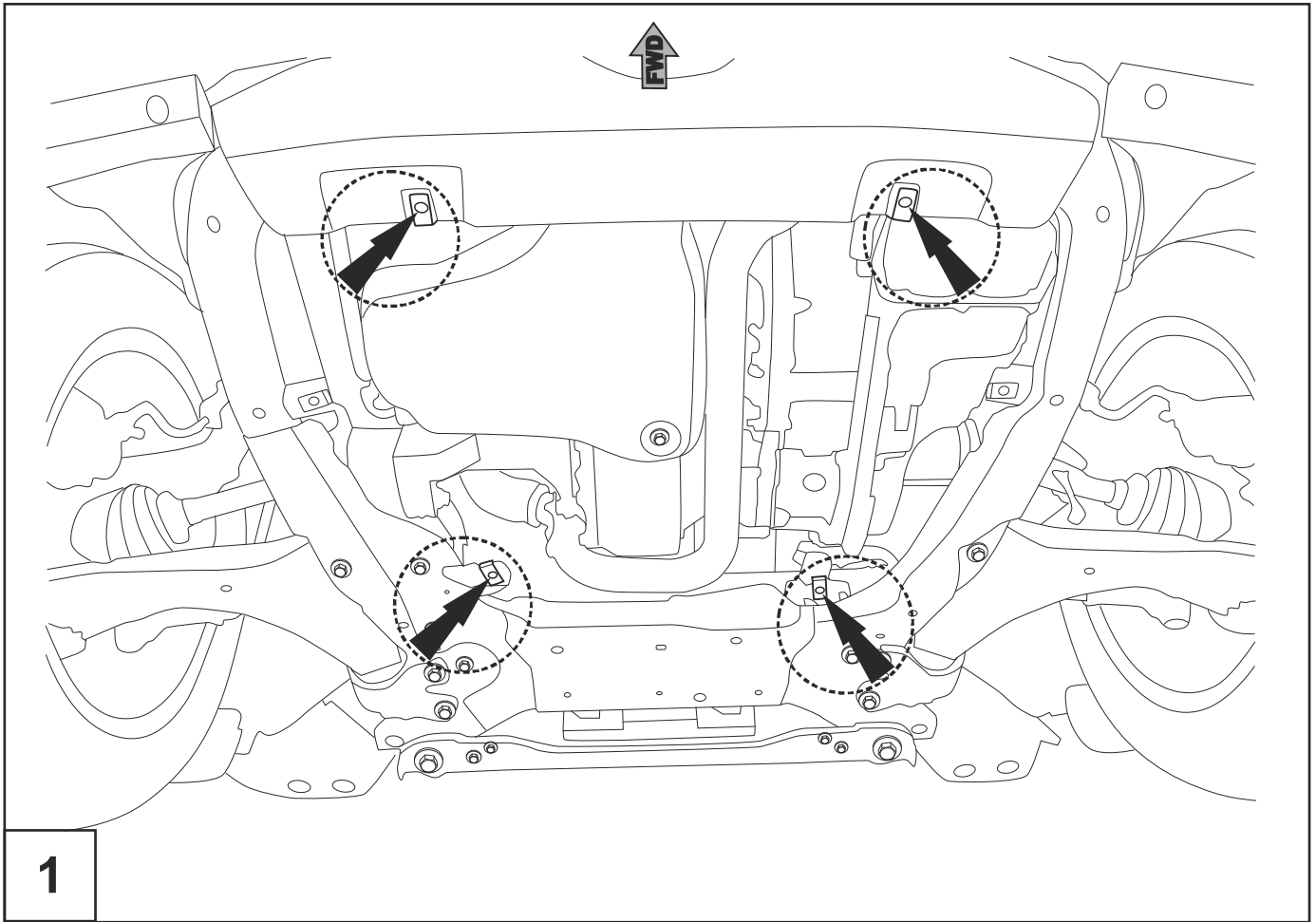
M10

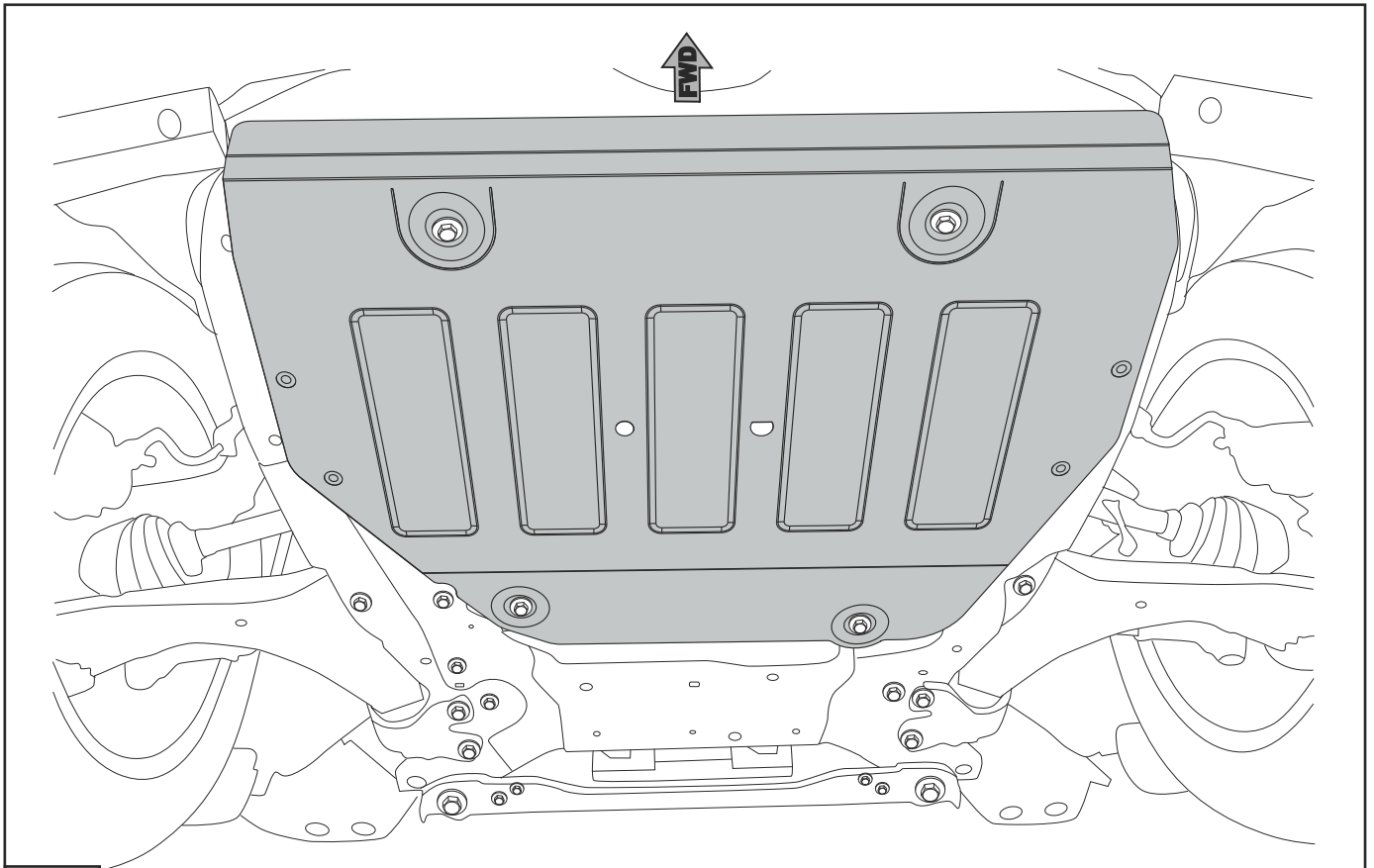
2X

C

Ø 10

2X





3