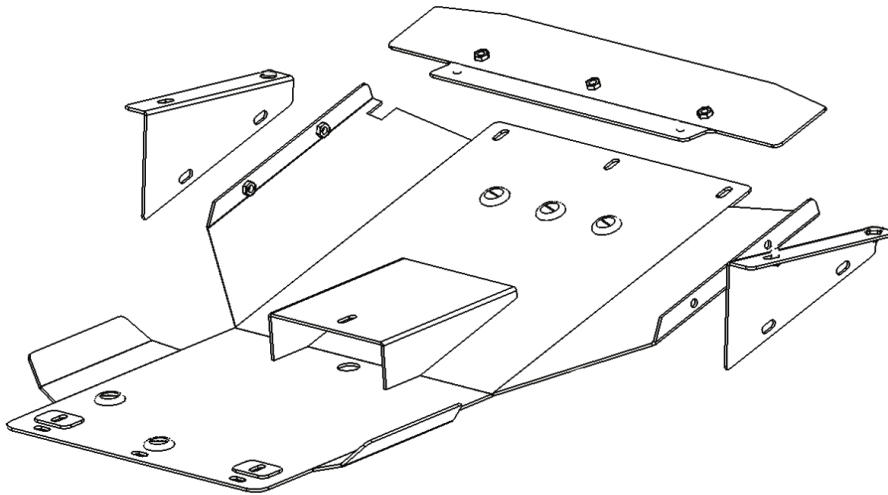


**A**

# TOYOTA LAND CRUISER 100

Model Year: 1998 - 2007

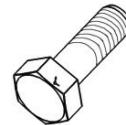


**B1**



13 x M 8x20

**B2**



1 x M 8x30

**C**



14 x Ø8

