



Installation instructions for PZ4AL- 07530- 00

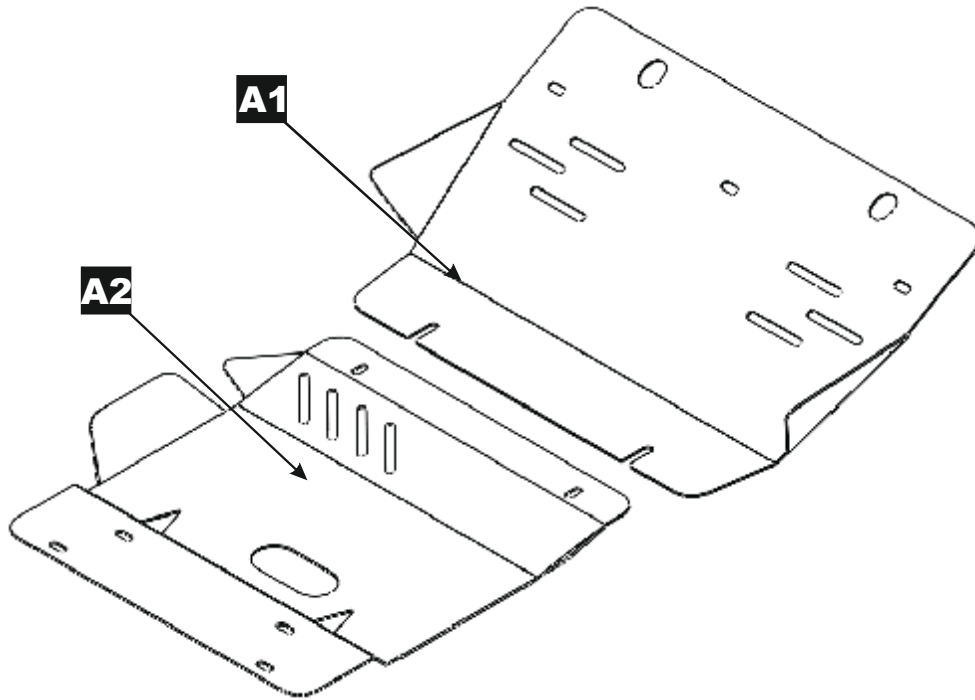
## Toyota Land Cruiser 120

Under Run Protective Shield



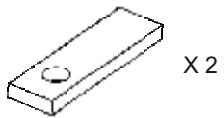
Model Year:	2005
Vehicle Code:	GRJxxxL-*-W
Part Number:	PZ4AL-07530-00
 Weight:	26 kg
 Installation Time:	30 min
Manual reference number:	AIM 000-867-0

Part number: PZ4AL-07530-00

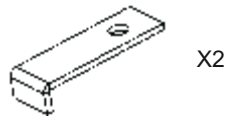


PZ4AL- 07530- 00

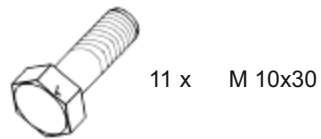
**B1**



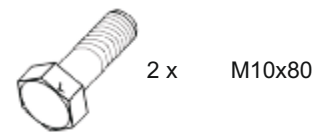
**B2**



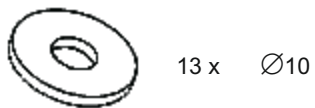
**C1**



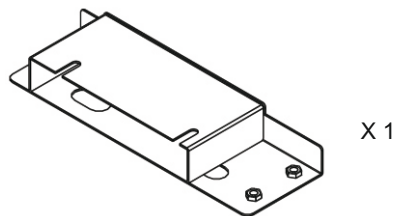
**C2**



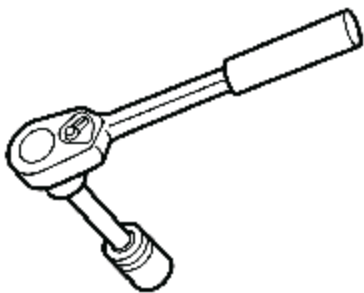
**D**



**E**



**F**



Part number:  
PZ4AL- 07530- 00

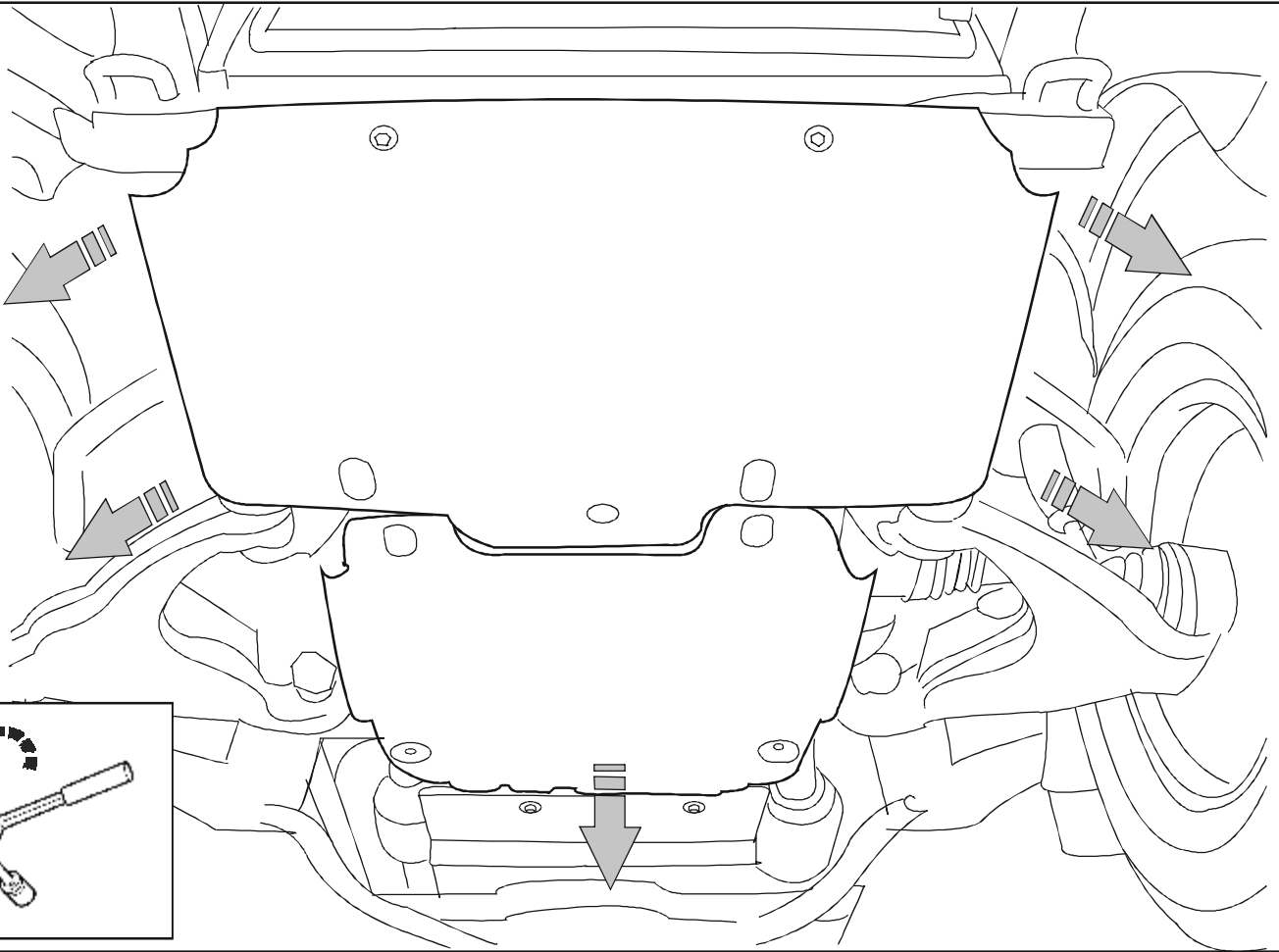
Issue:  
0

Date:  
19/12/06

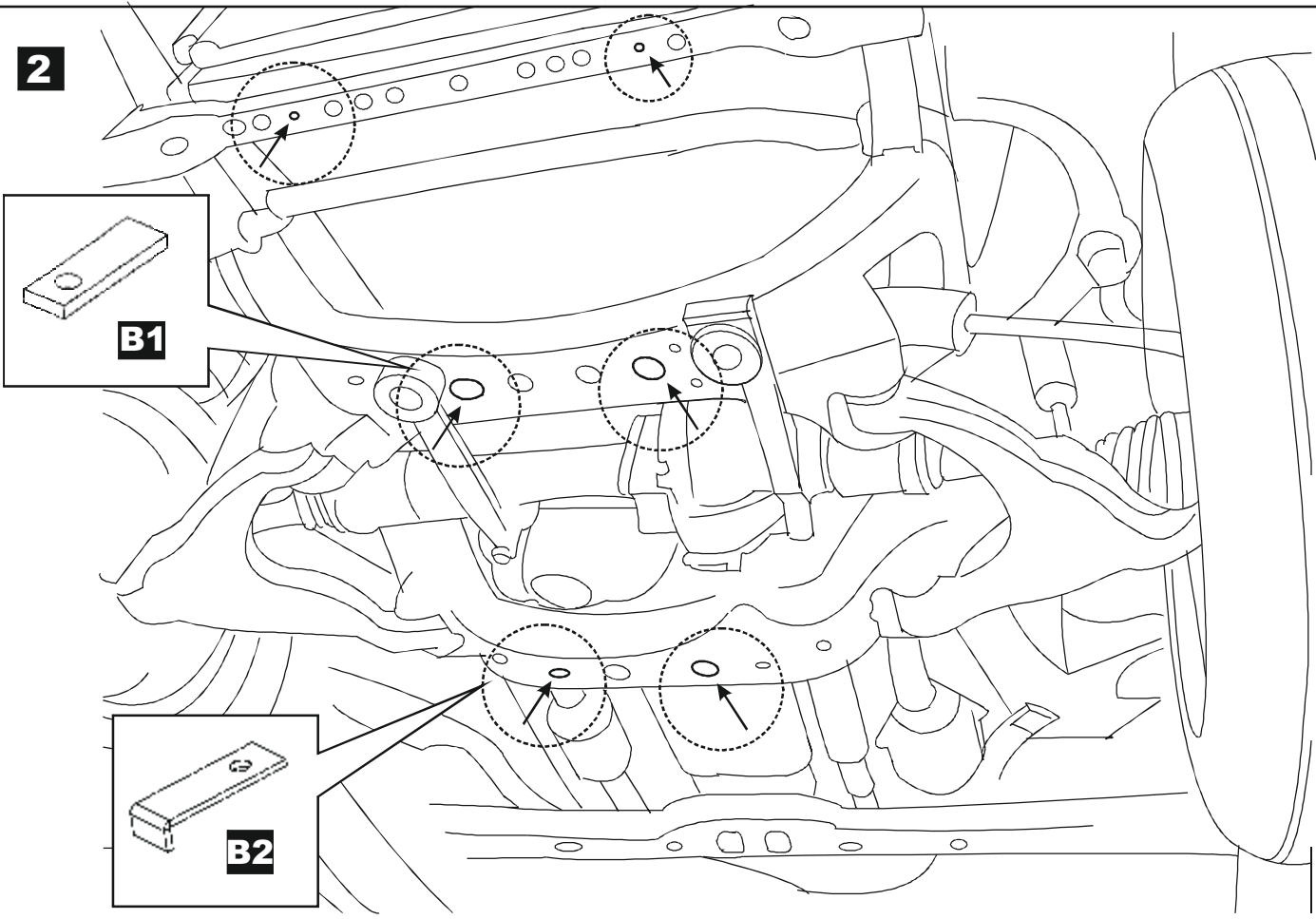
Manual reference number:  
AIM 000-867-0

Page:  
2/5

**1**



**2**



Part number:  
PZ4AL- 07530- 00

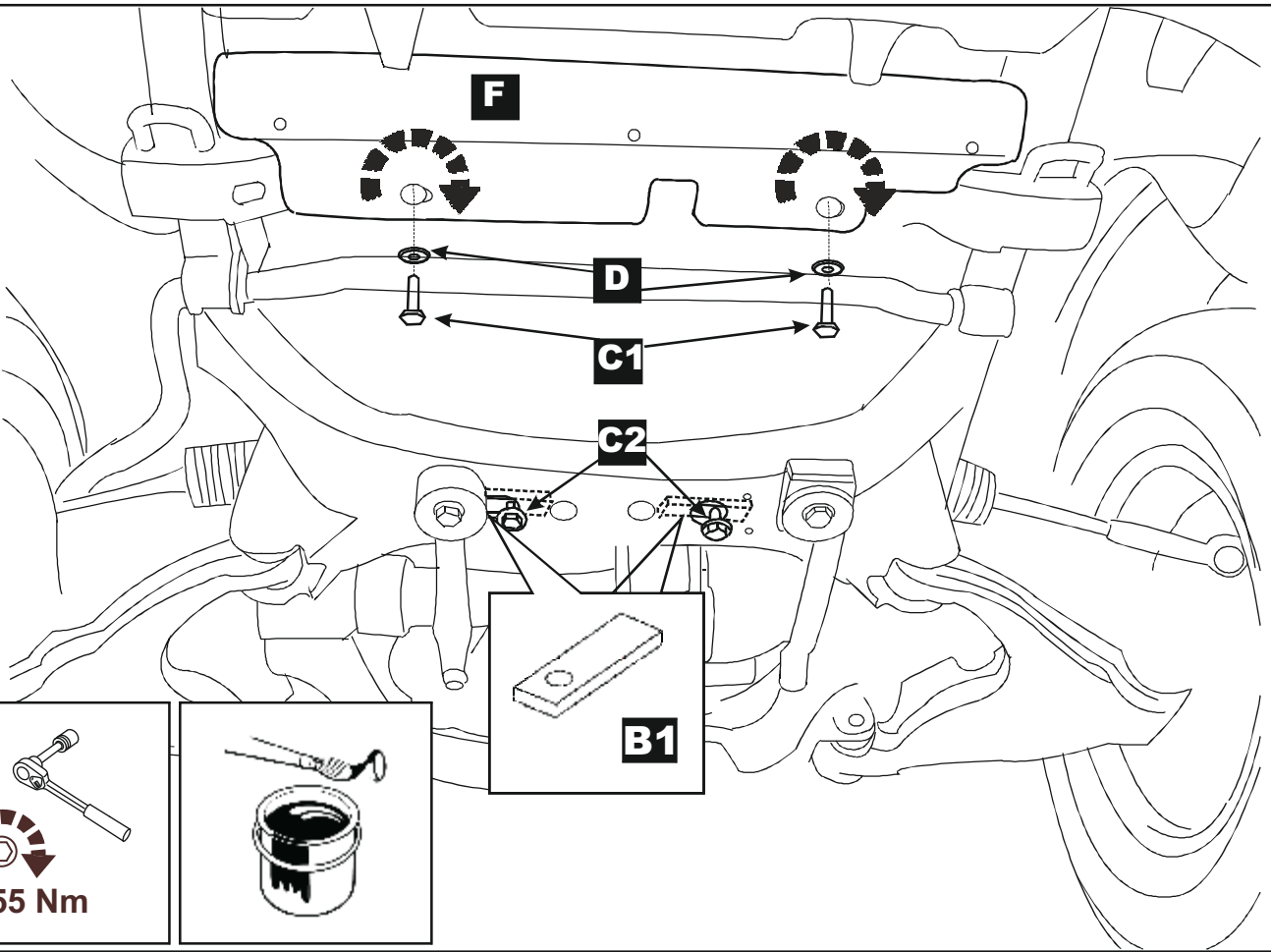
Issue:  
0

Date:  
19/12/06

Manual reference number:  
AIM 000-867-0

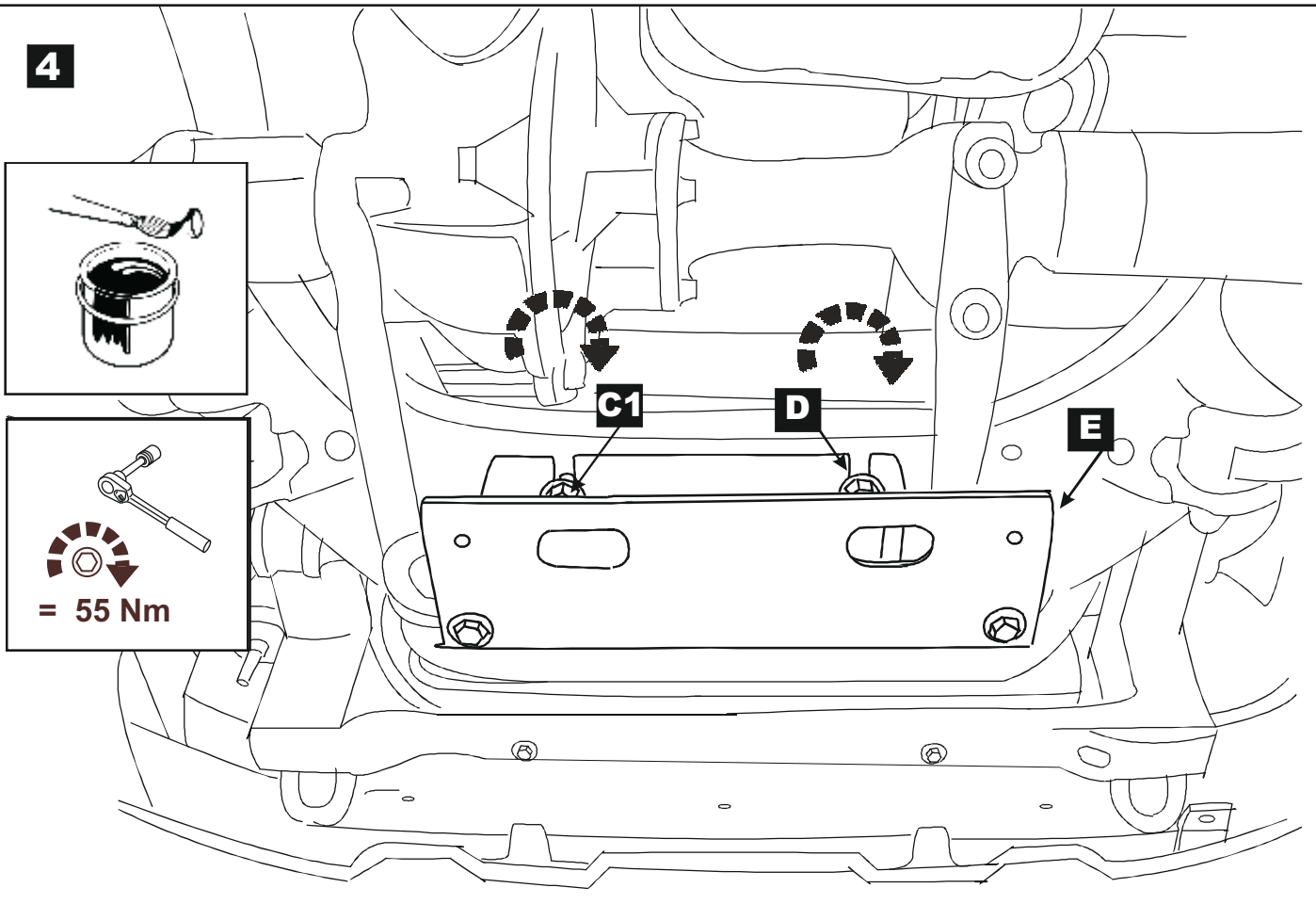
Page:  
3/5

**3**



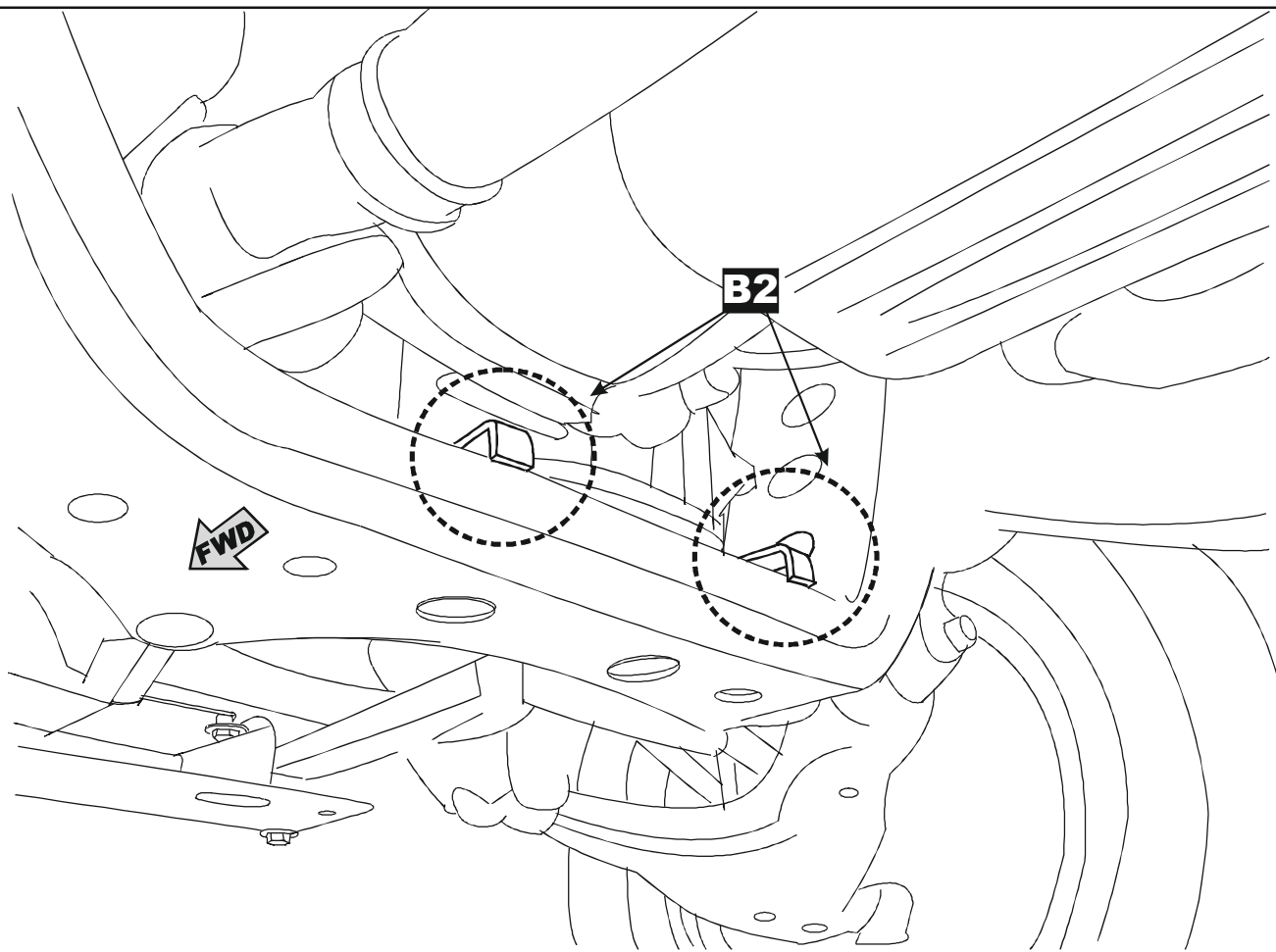
= 55 Nm

**4**

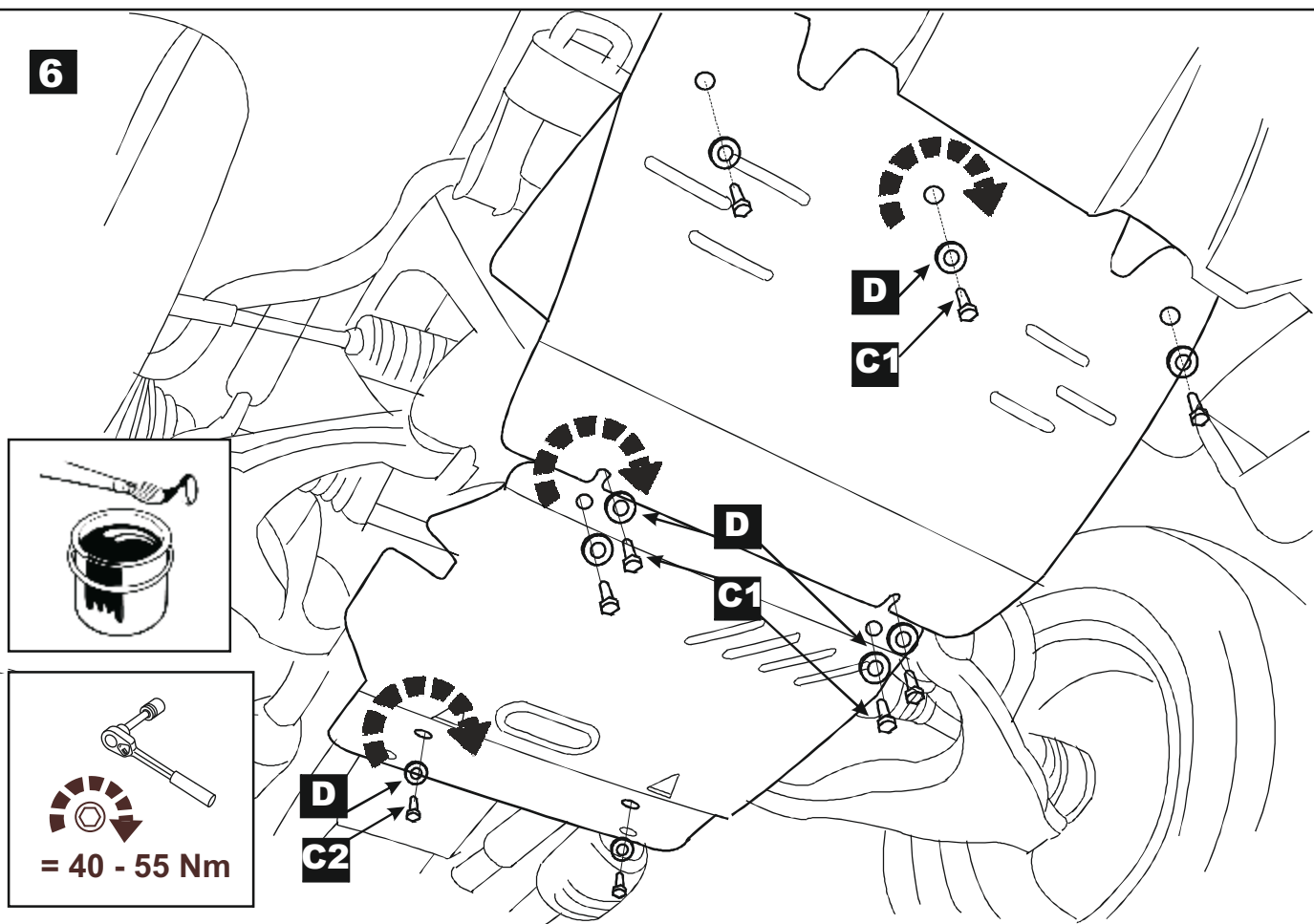


= 55 Nm

5



6



Part number:  
PZ4AL- 07530- 00

Issue:  
0

Date:  
19/12/06

Manual reference number:  
AIM 000-867-0

Page:  
5/5