

Installation instructions for PZ4AL-02054-00; PZ4AL-02055-00

Toyota Hilux

Under run protective shield fuel tank



Model Year: 2011-

Vehicle Code: KUN25L-DRMDHW
KUN25L-DRMSHW
KUN26L-PRASYW

Part Number: Steel: PZ4AL-02054-00

Aluminium: P Z4AL-02055-00



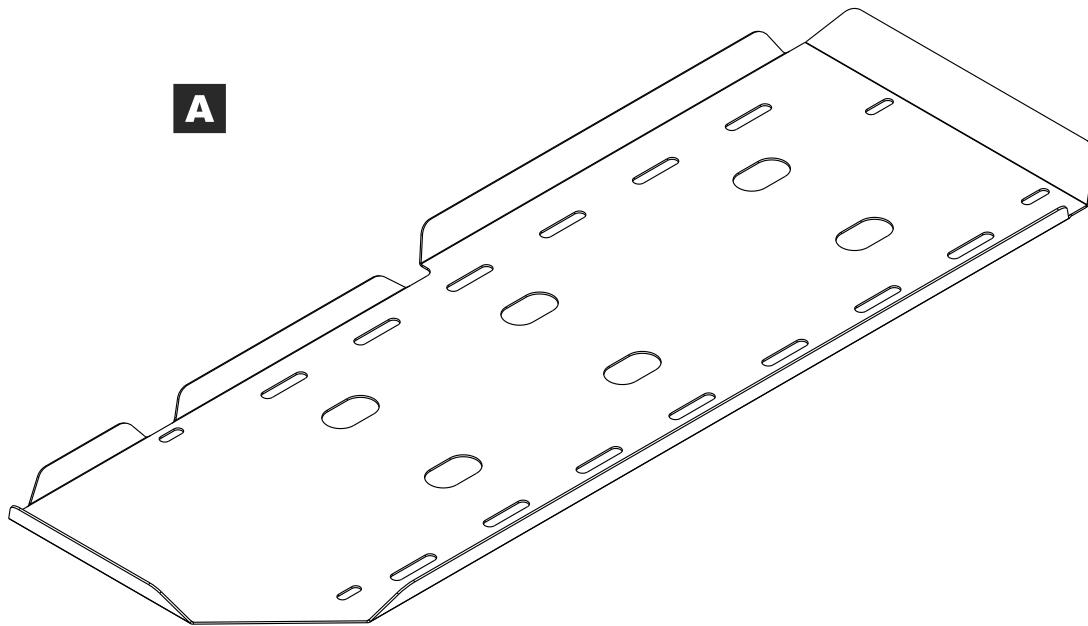
Weight: Steel: 13.74 Kg

Aluminium: 10.27 Kg



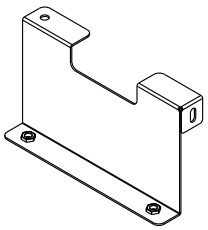
Installation Time: 30 min

Part number: PZ4AL-02054-00; PZ4AL-02055-00



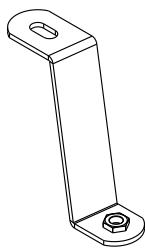
PZ4AL-02054-60

B



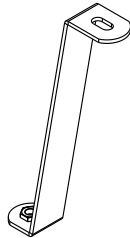
1x

C1



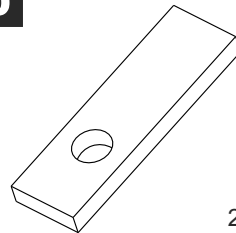
1x

C2



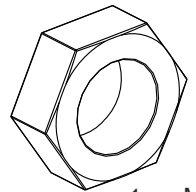
1x

D



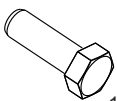
2x

E



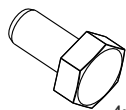
1x M8

F1



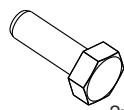
1x M 8x20

F2



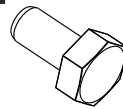
4x M 10x20

F3



2x M 10x30

F4



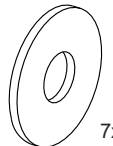
1x M 10x1.25x30

G1

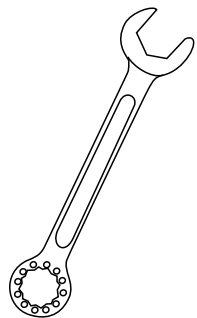
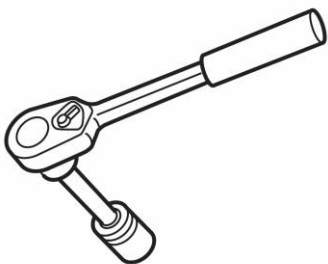


2x Ø8

G2



7x Ø10



13 mm

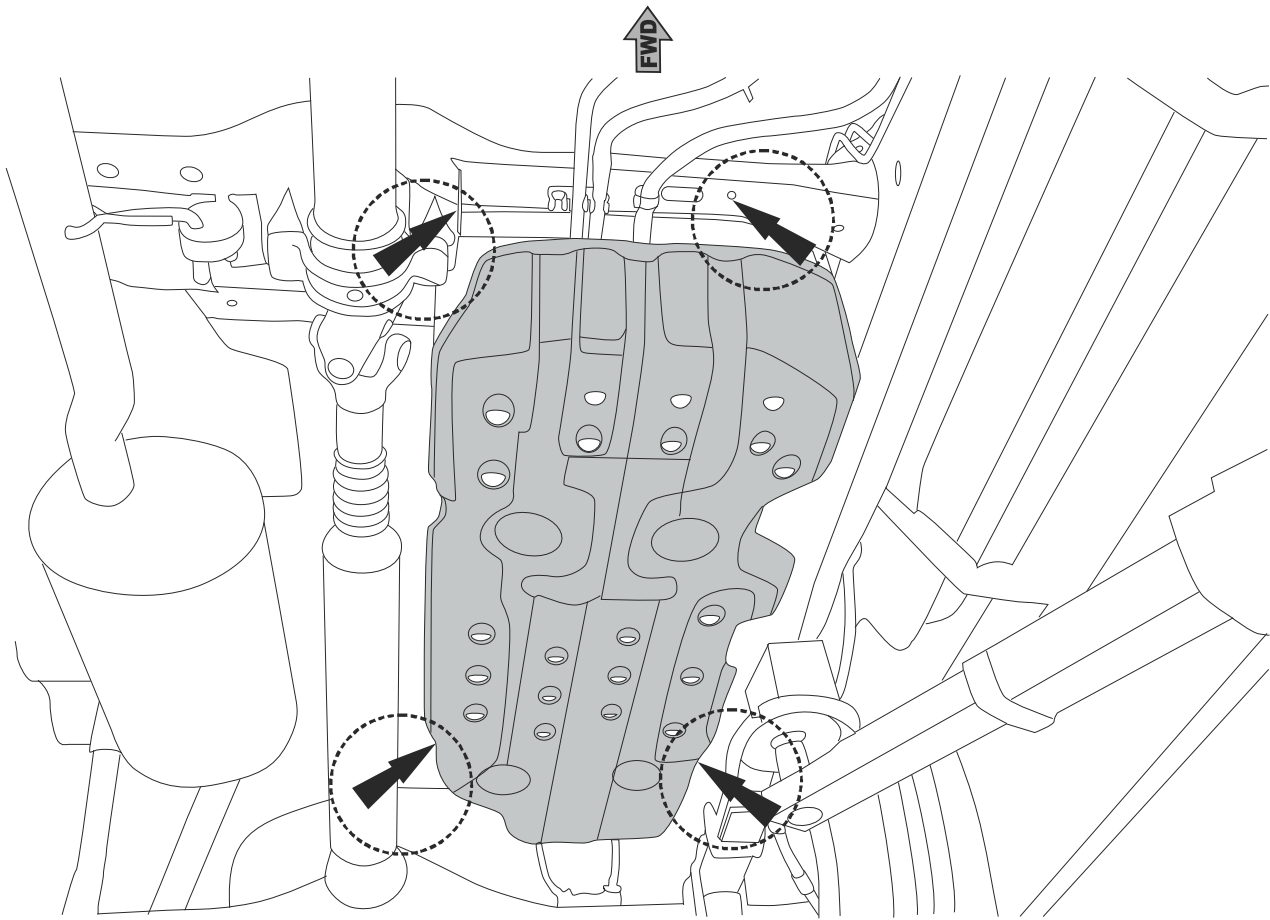
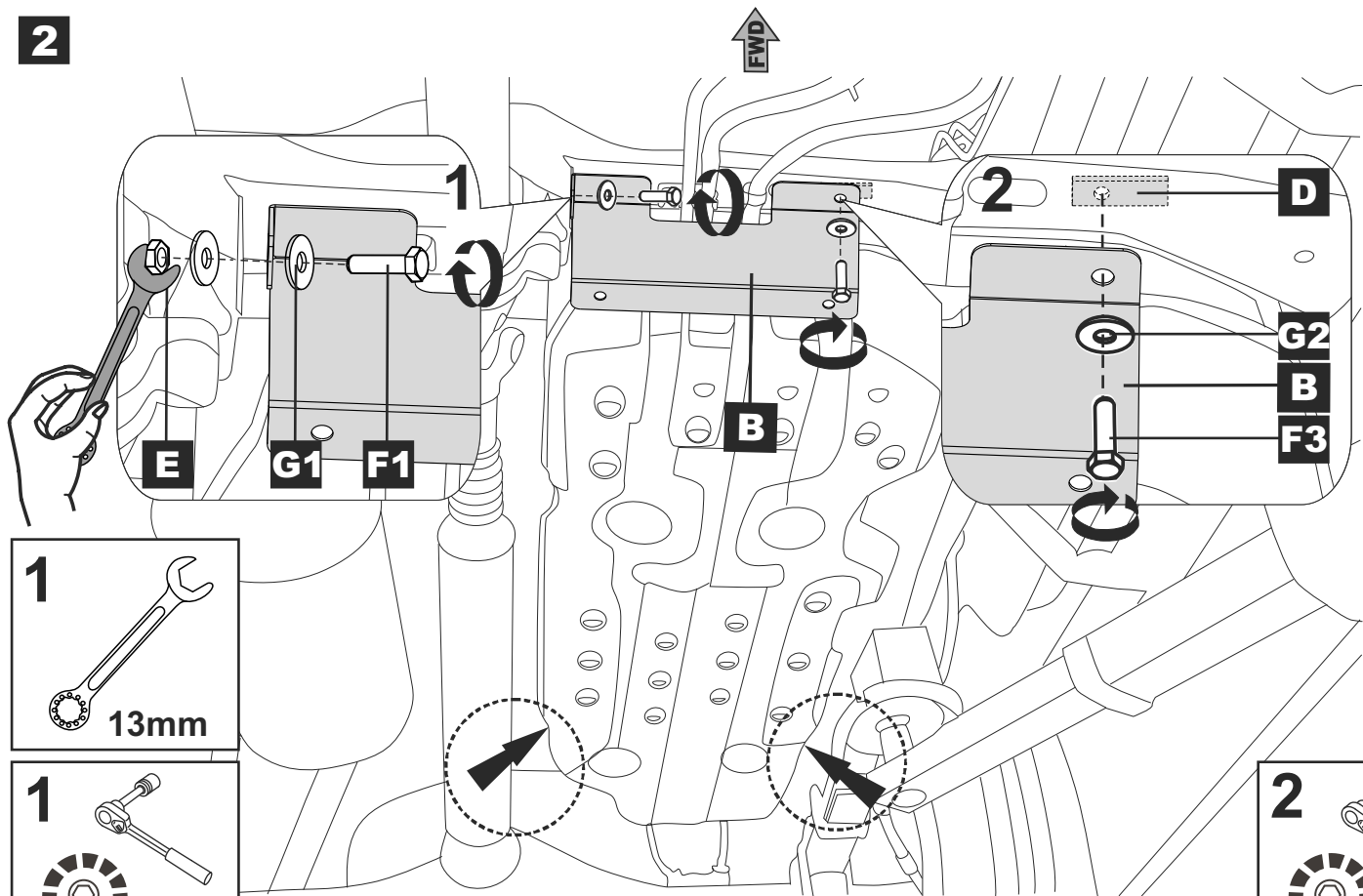
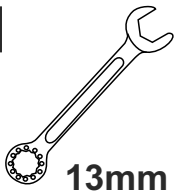
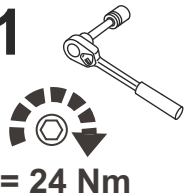
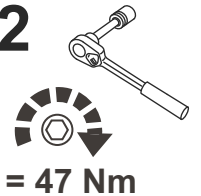


Part number:
PZ4AL-02054-00
PZ4AL-02055-00

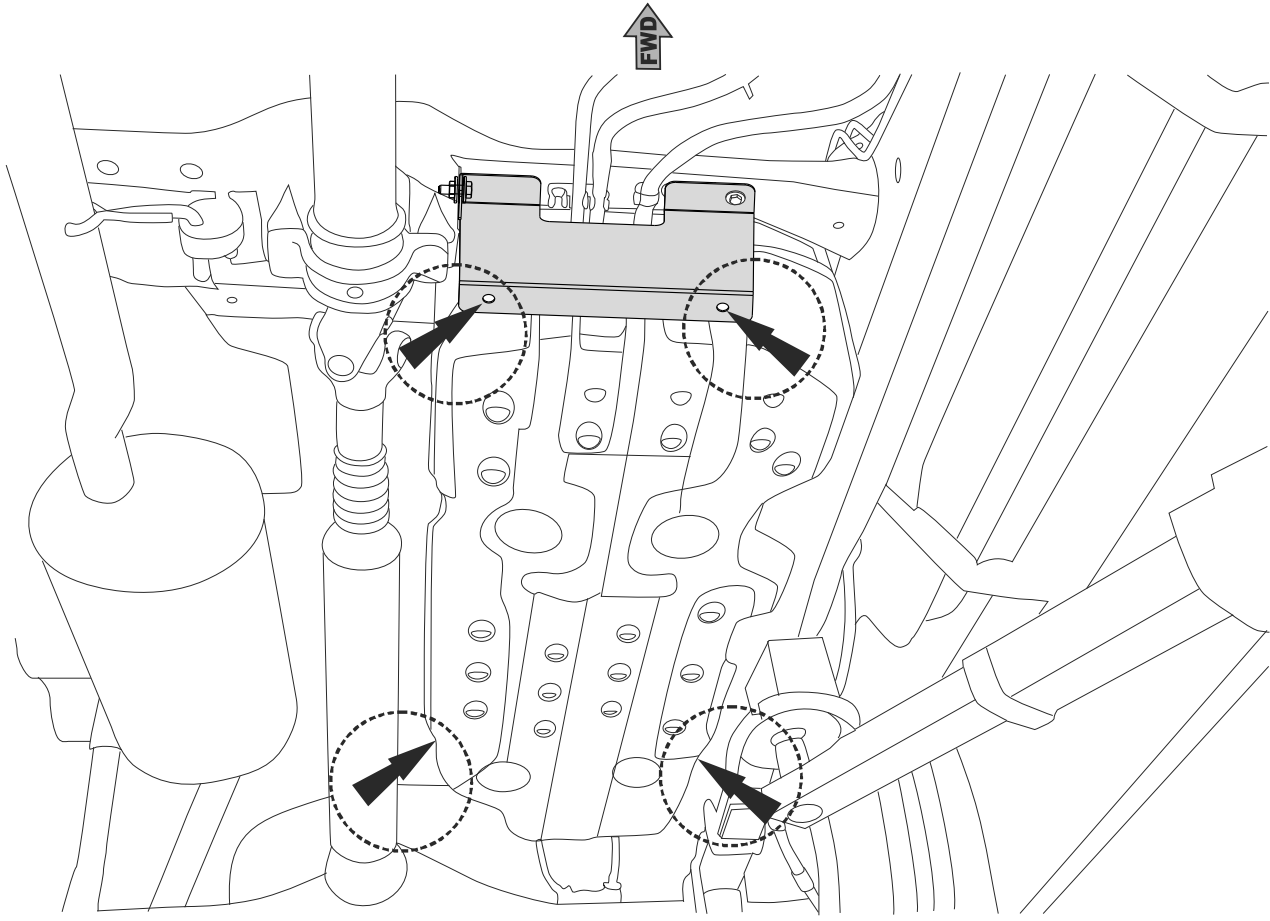
Issue:
0

Date:
06/06/11

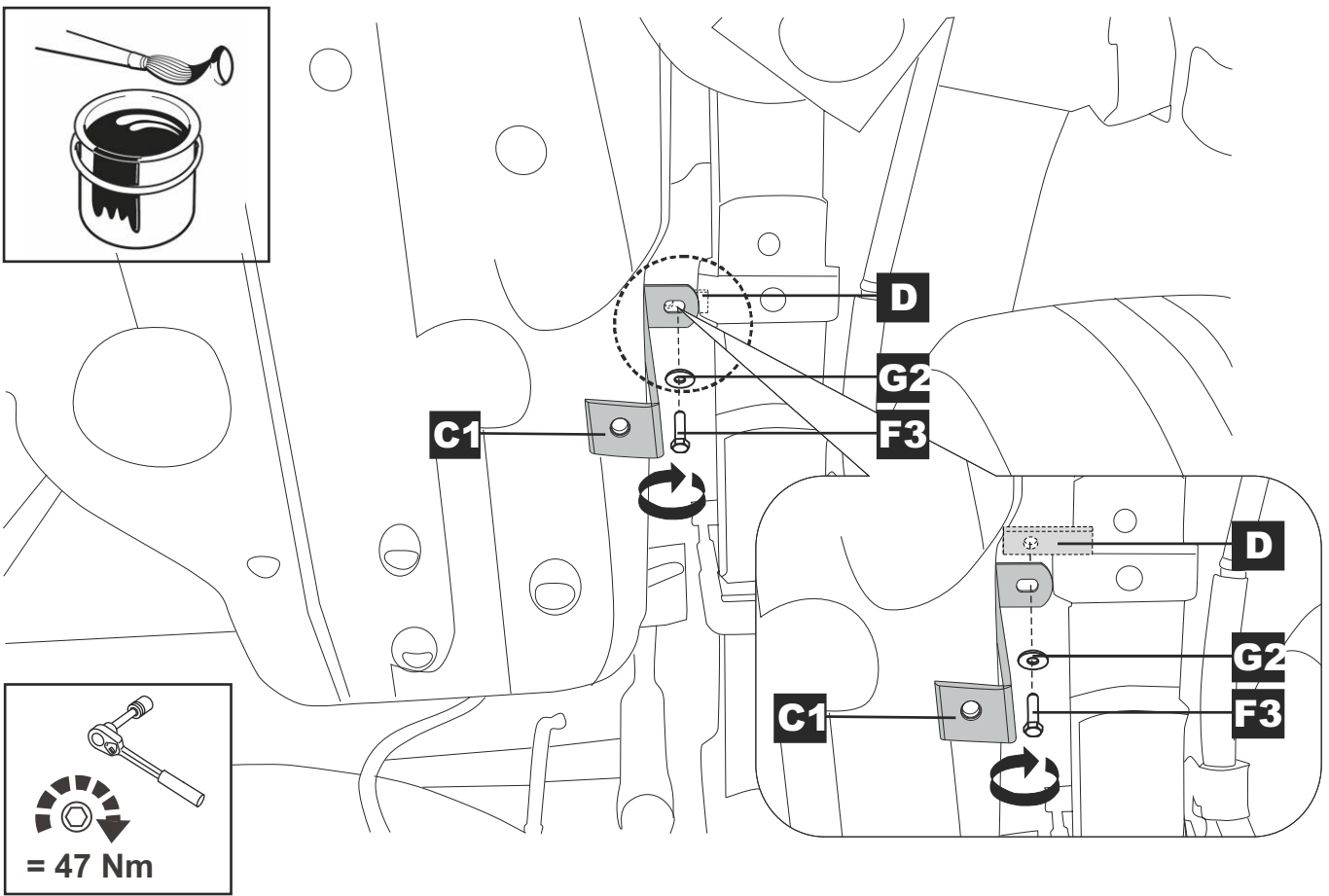
Page:
2/6

1**2****1****1****2**

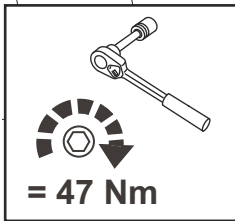
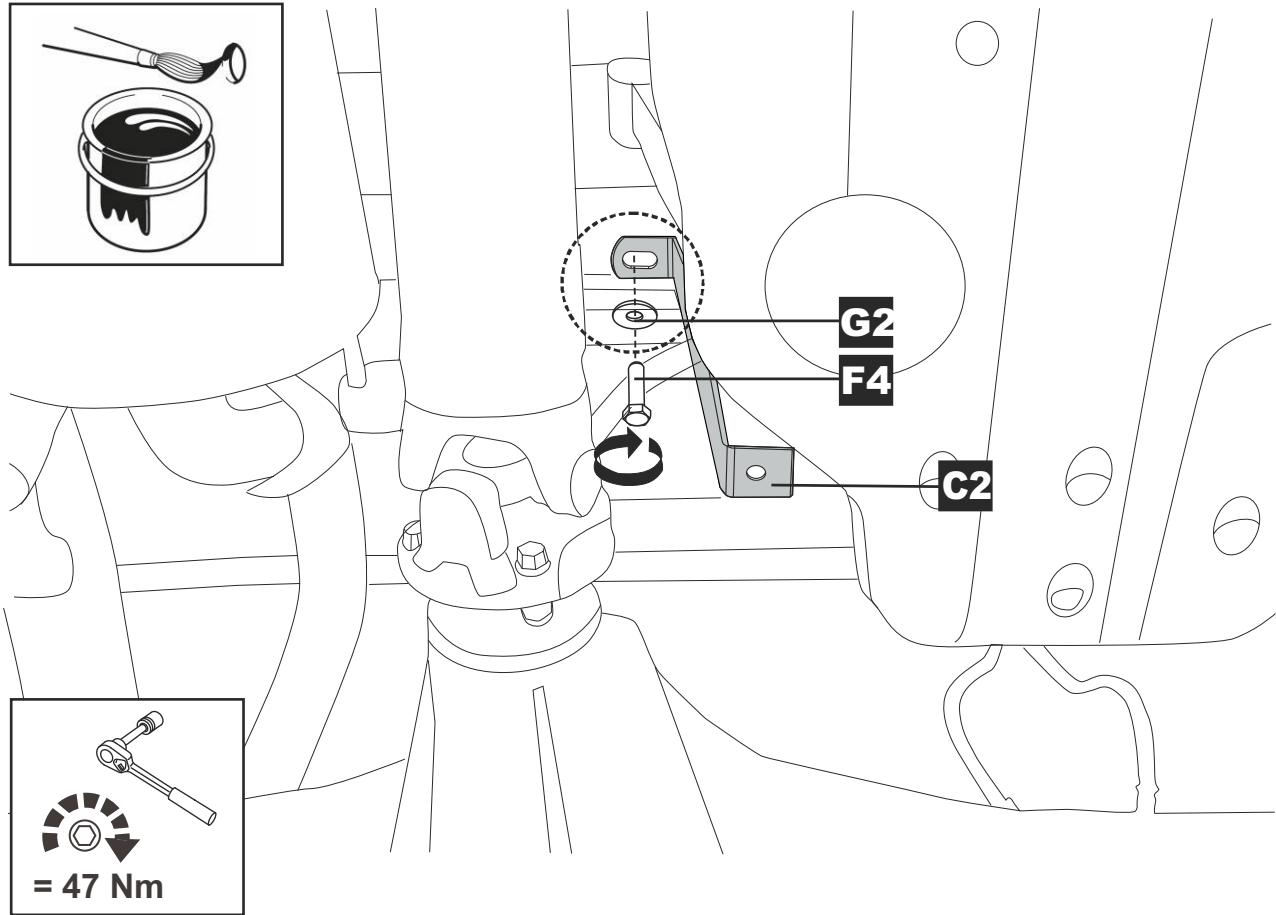
3



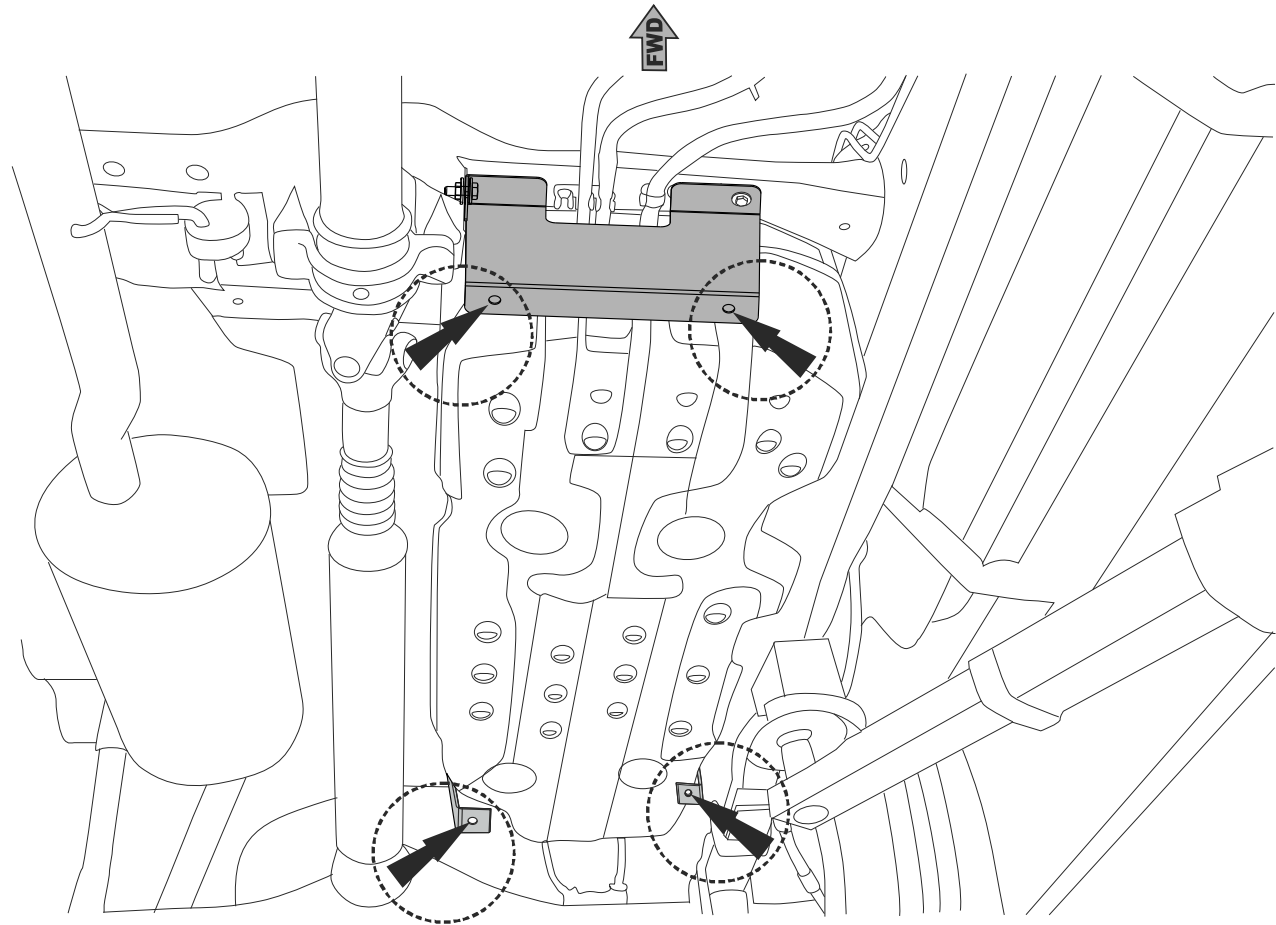
4



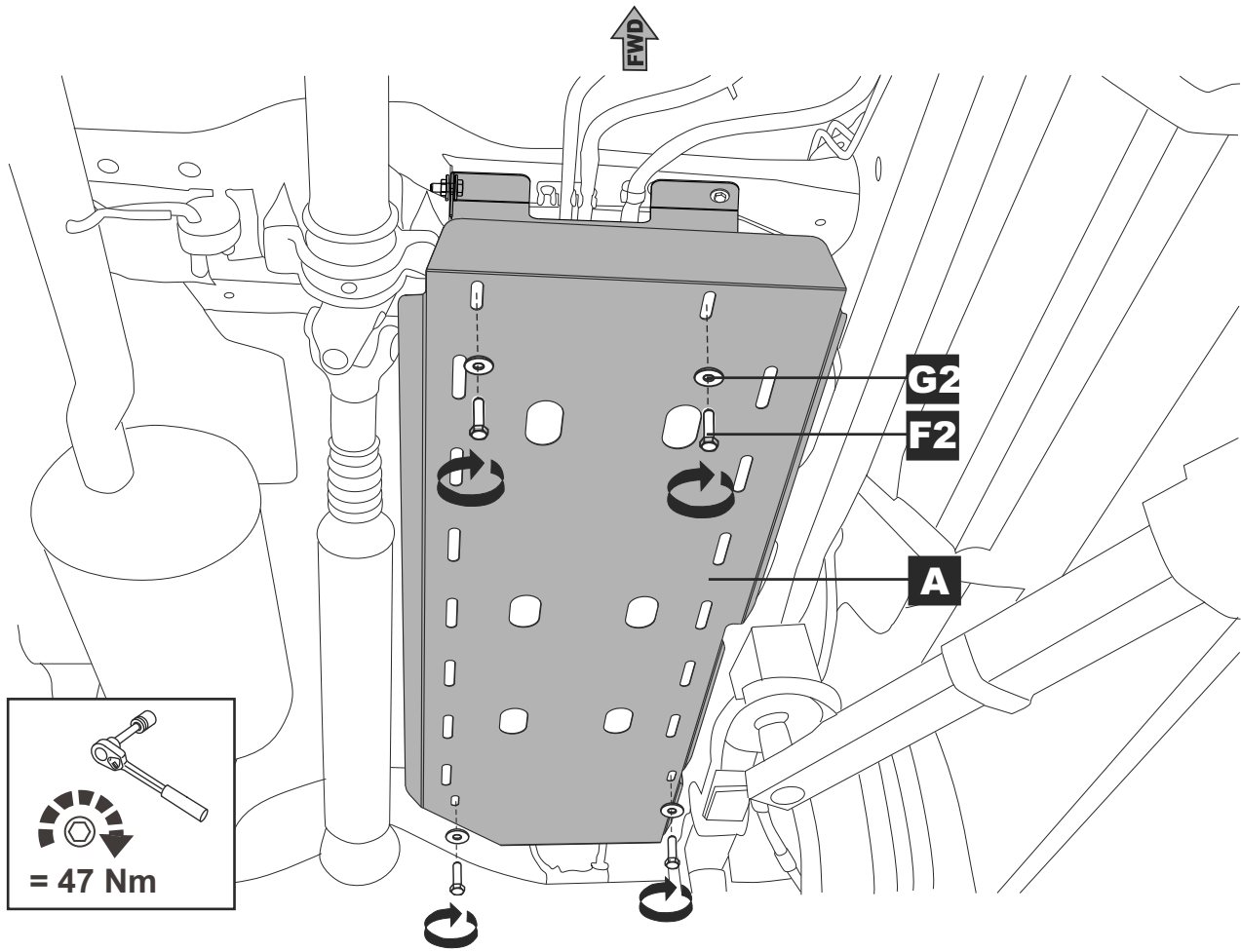
5



6



7



8

