

Installation instructions for 24-2063 24-2064 24-1244  
 Under Run Protective Shield engine bay and transmission case

## TOYOTA Auris



## TOYOTA Corolla



## TOYOTA Prius Hybrid



### TOYOTA Prius Hybrid

### TOYOTA Corolla

### TOYOTA Auris

Model Year

2009-

2007-

2009-

Vehicle Code

ZVW30L-AHXEBW

ZRE151L-AEFDKW  
 ZRE151L-AEFNKW  
 ZRE151L-AEPDKW  
 ZRE151L-AEPNKW

ZRE151L-DHFDPW  
 ZRE151L-DHPDKW  
 ZRE151L-DHPNKW

Part Number

Steel: PZ4AL- 02063- 00  
 Aluminium: PZ4AL- 02064- 00



Weight

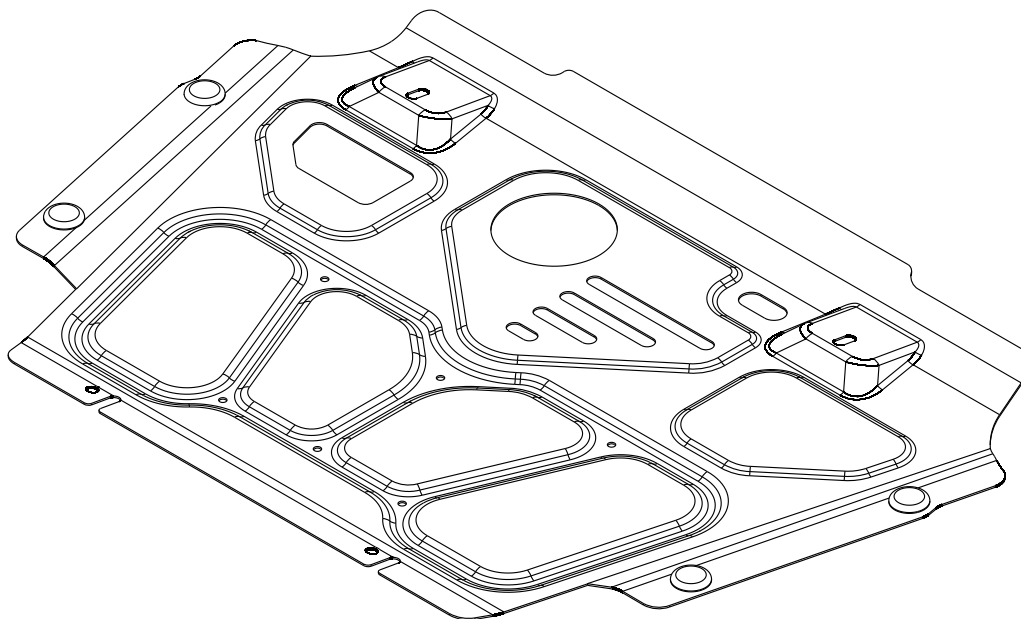
Steel: 9,16 Kg  
 Aluminium: 5,71 Kg



Installation Time

20 min

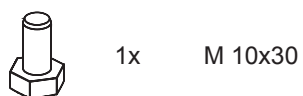
**A**



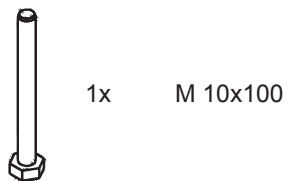
**B1**



**B2**



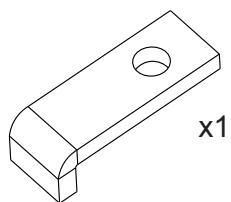
**B3**



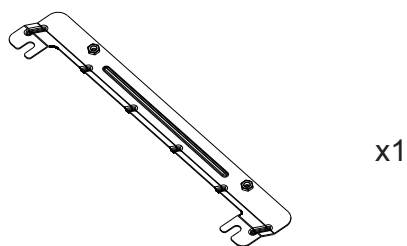
**C**



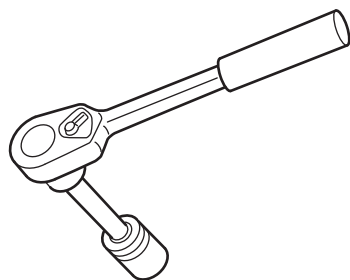
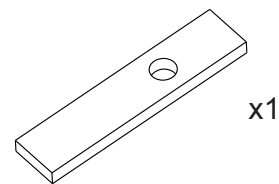
**D**



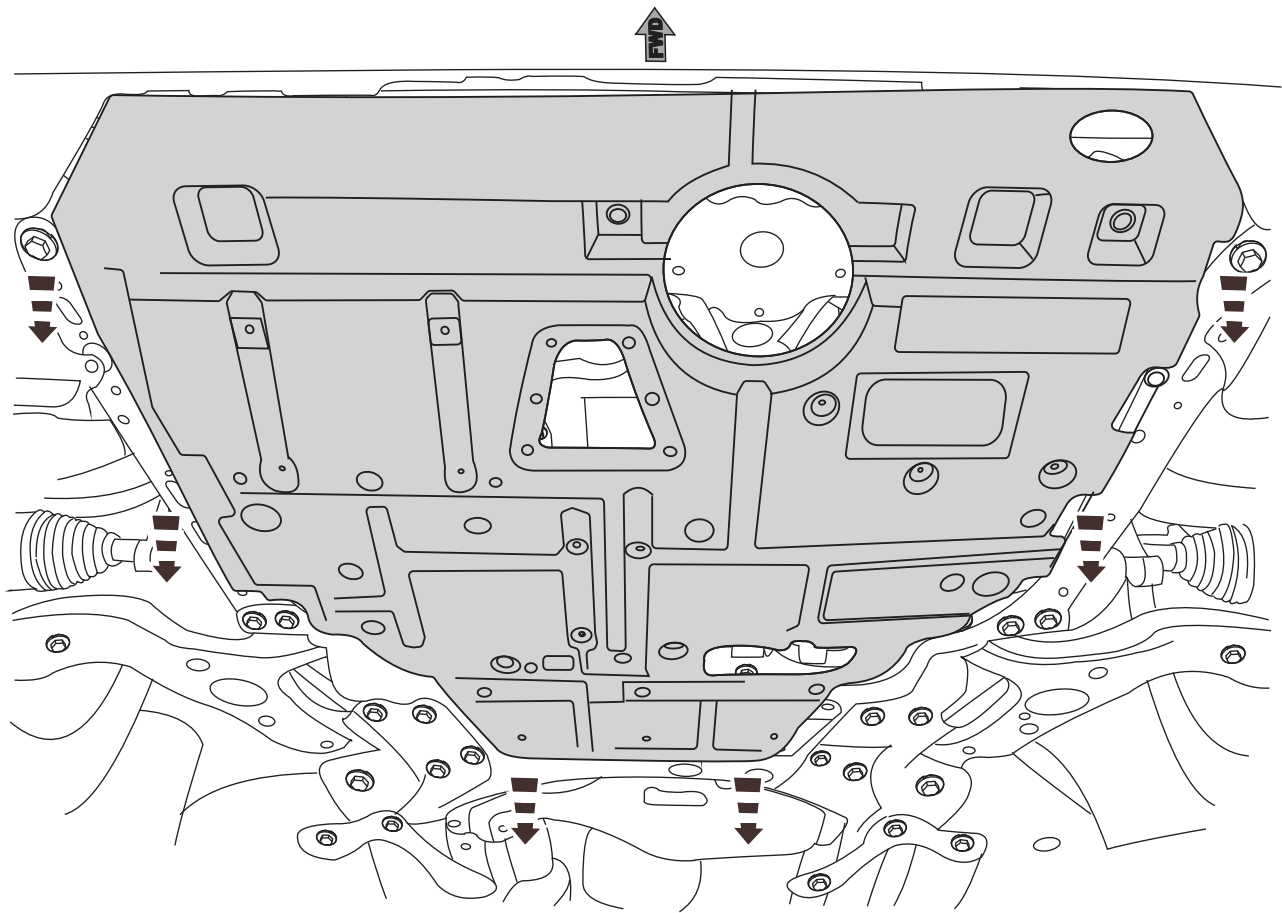
**E**



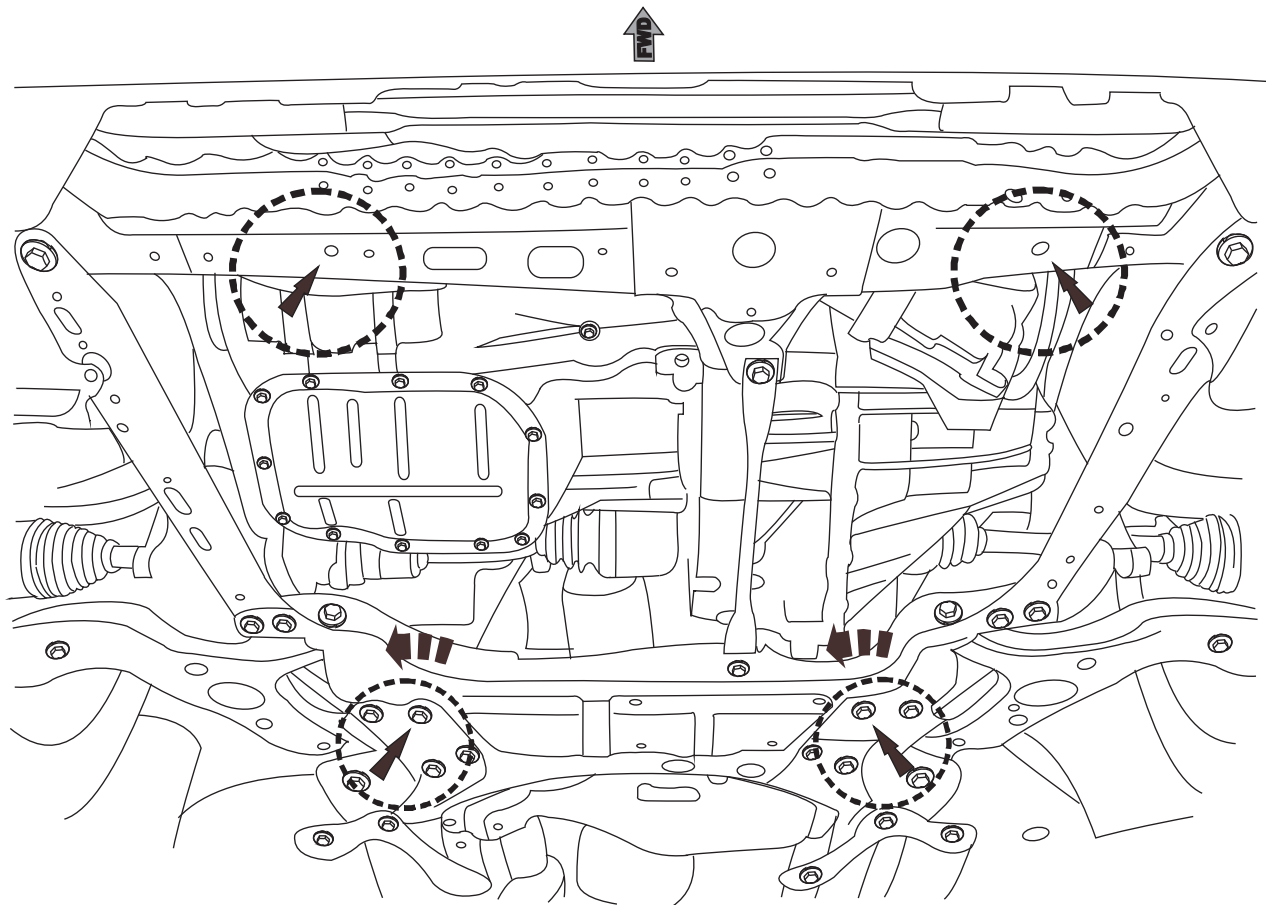
**F**



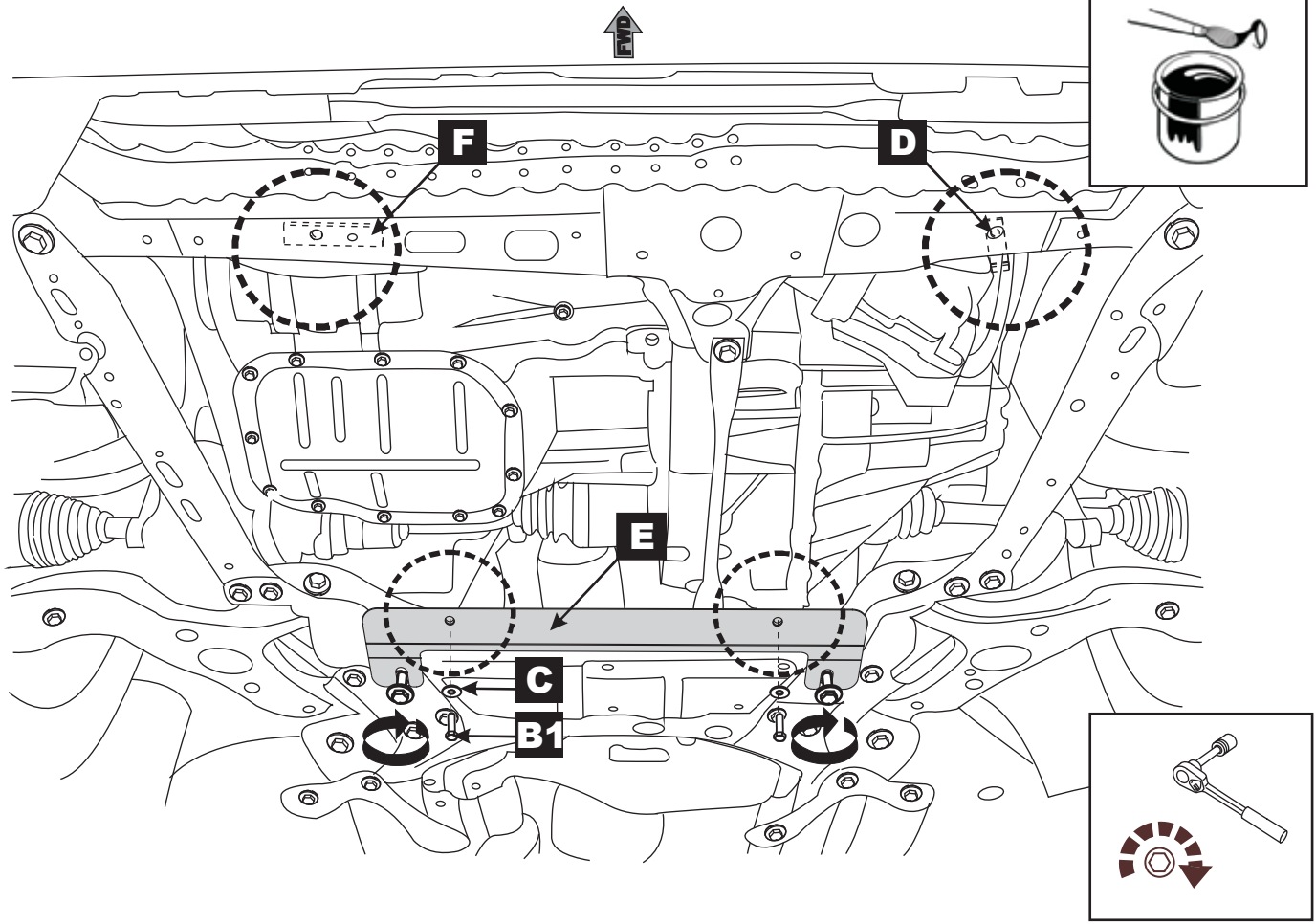
1



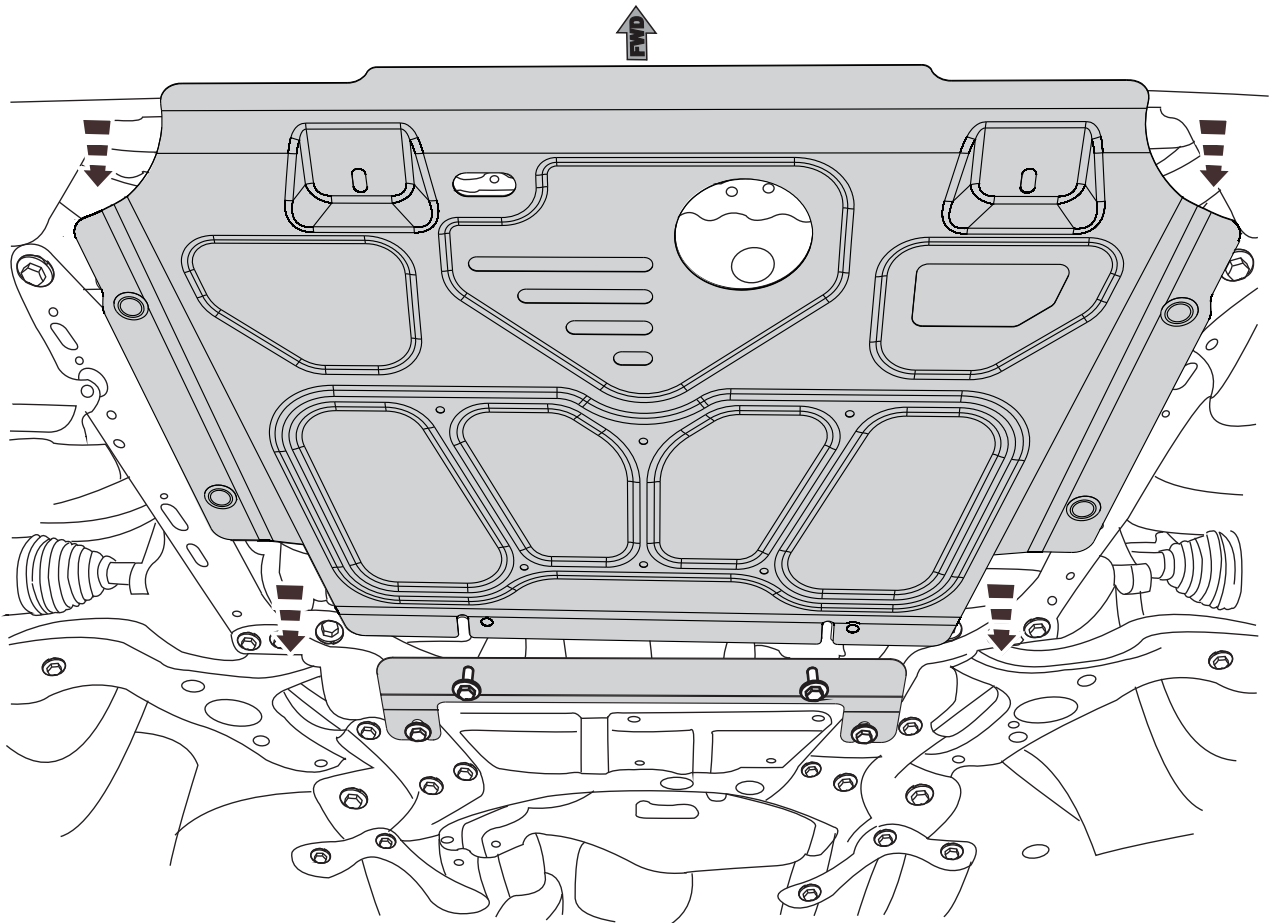
2



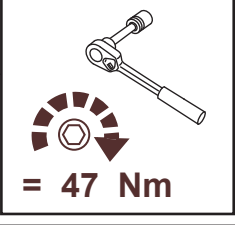
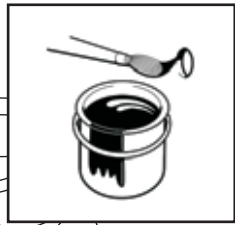
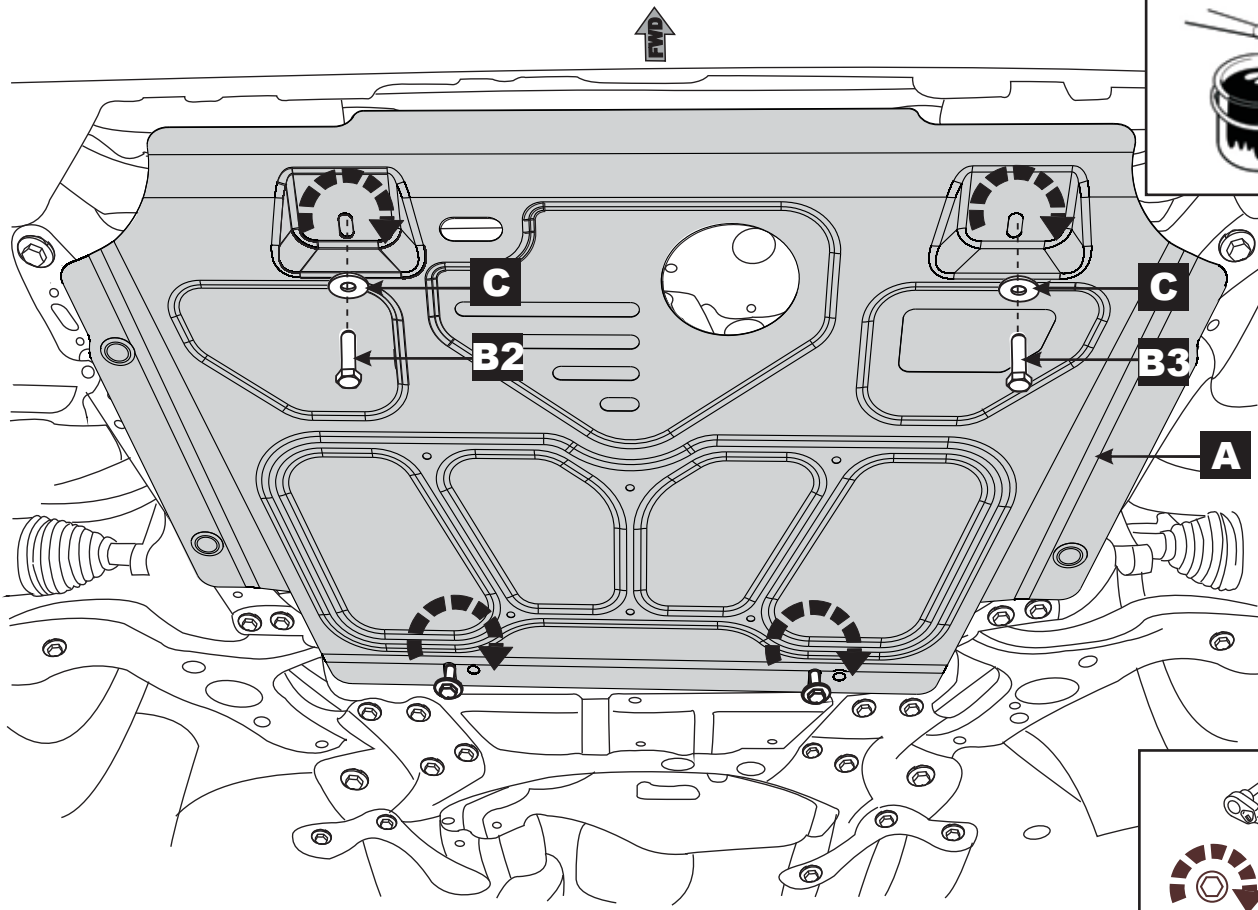
3



4



5



6

