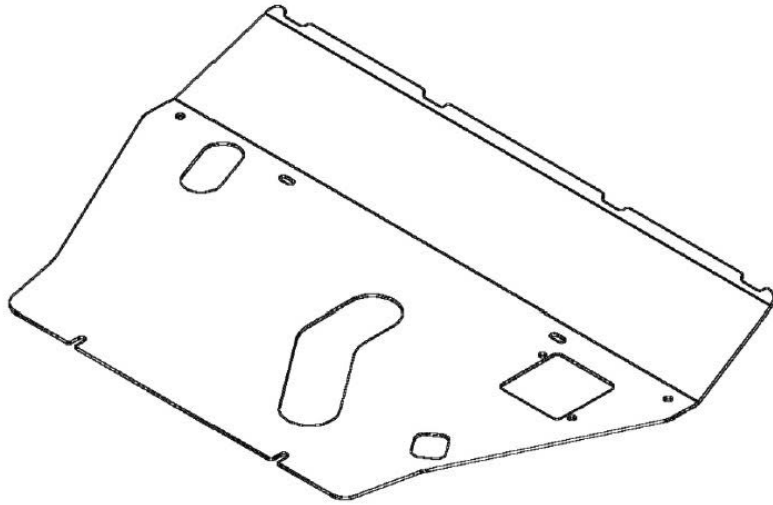


24.0876, 24.0877, 24.0878. 24.0991

A



B1



2 x M 10x20

B2



2 x M 10x100

B3



2 x M 8x12

C1



2 x Ø 8

C2



4 x Ø 10

D



x 1

E



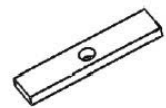
x 1

F

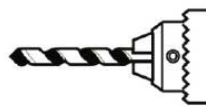
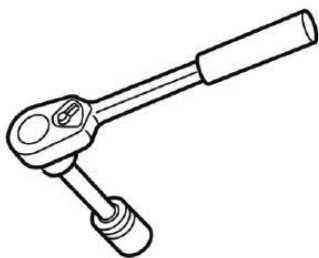


x 2


G

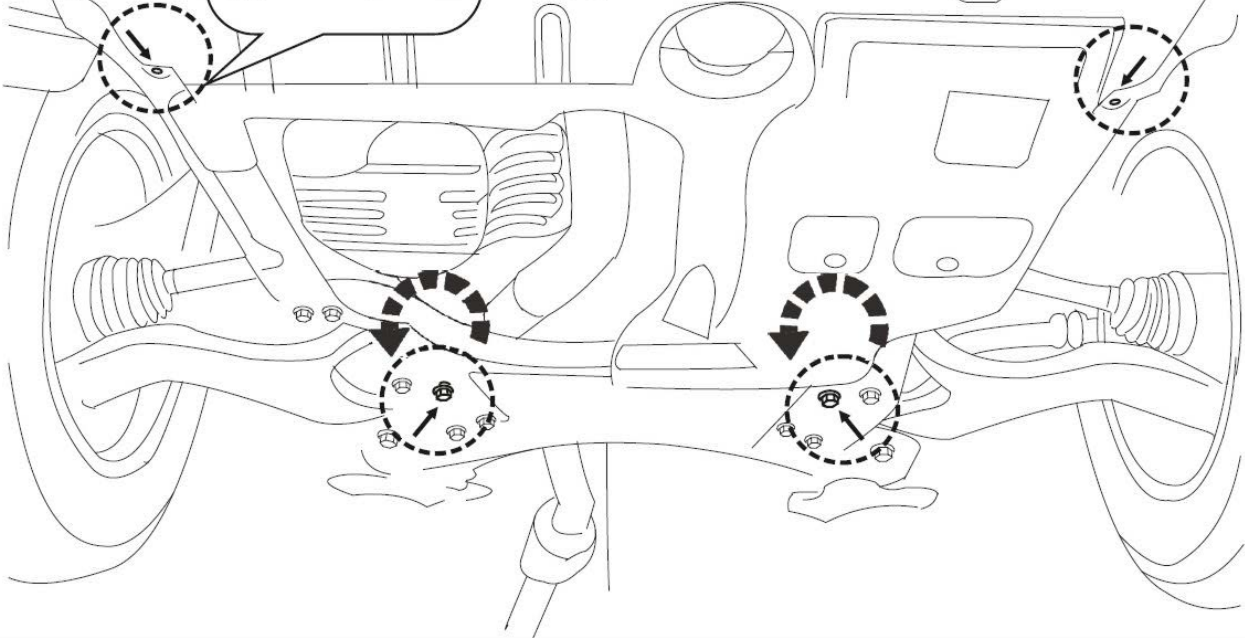


x 2

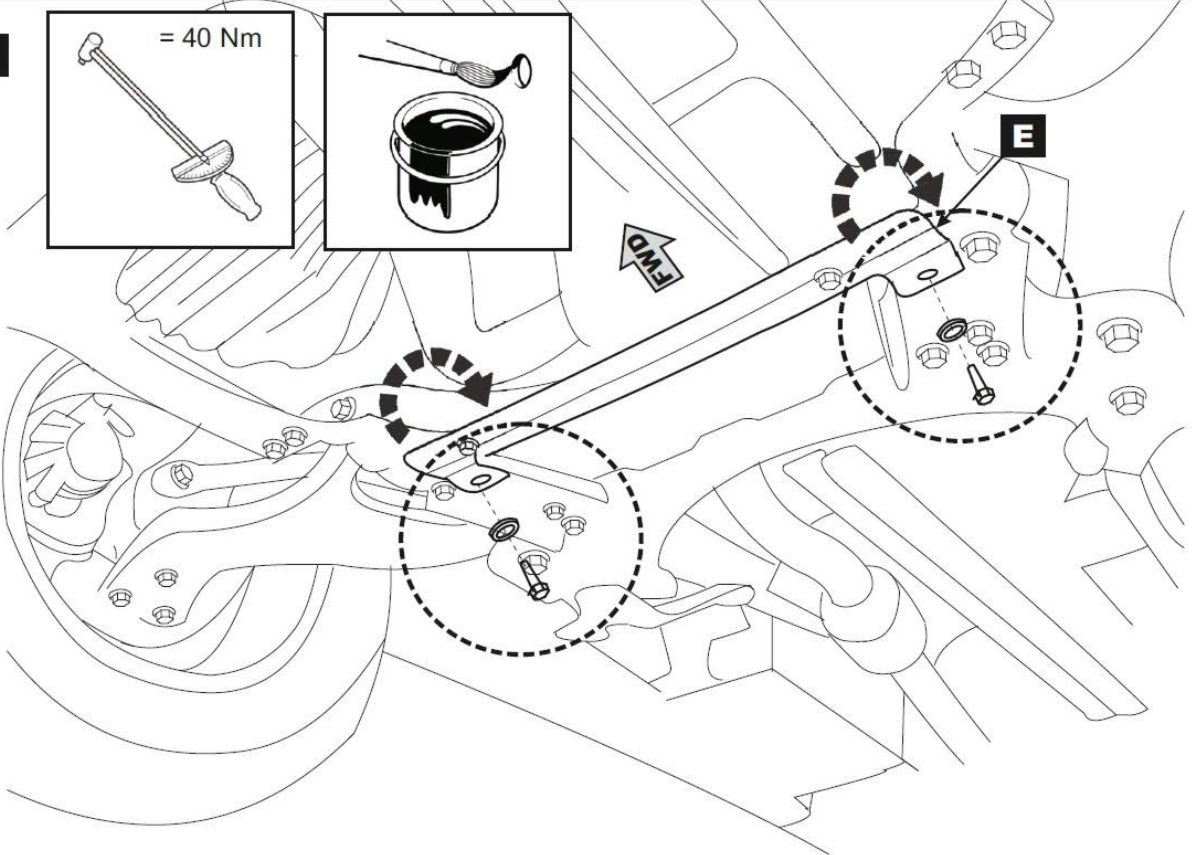
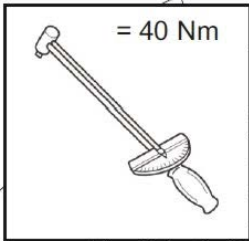


1


Ø = 10-12

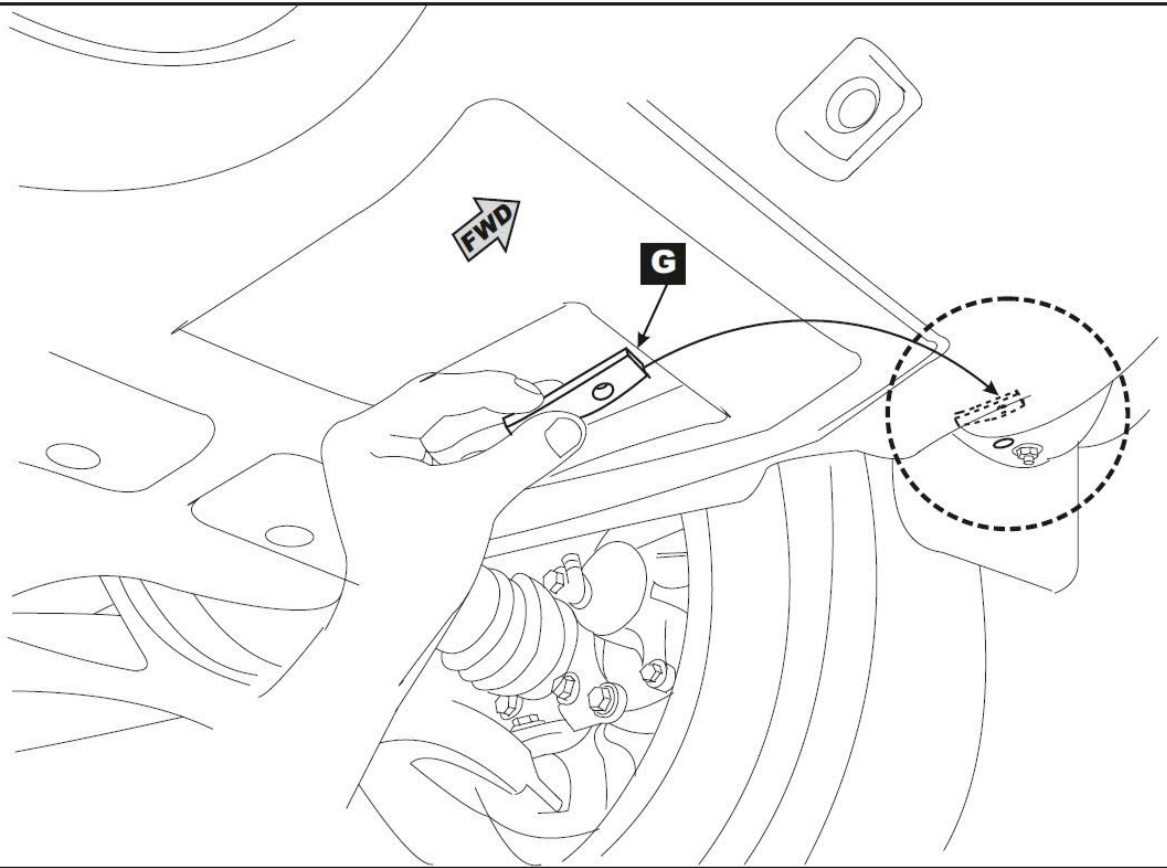


2



--	--	--	--	--

3



4

