

Installation instructions for PZ4AL-01160-00
Under Run Protective Shield Transmission Case and Transfer Box

TOYOTA Hilux



Model Year:

2006-2010-

Vehicle Code:

KUN25L-DRMDHW
KUN25L-DRMSHW
KUN25L-PRMSHW

Part Number:

PZ4AL-01160-00



Weight:

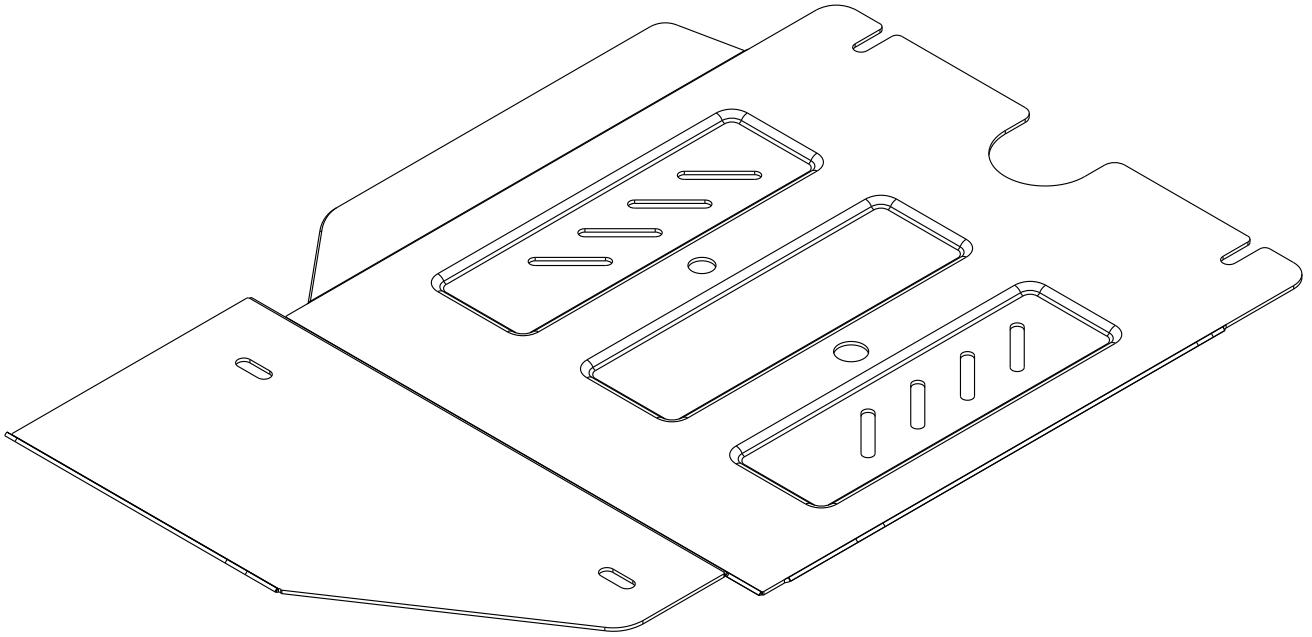
Aluminium: 6,42 kg



Installation Time:

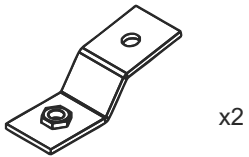
20 min

A



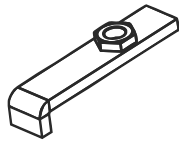
PZ4AL-01159-60

B



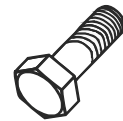
x2

C



x2

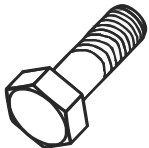
D1



x2

M 10x20

D2



x2

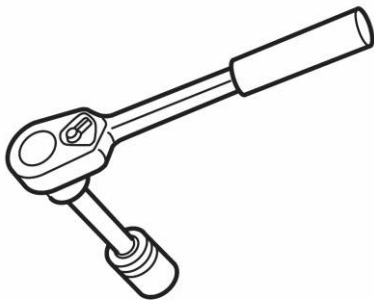
M 10x70

E

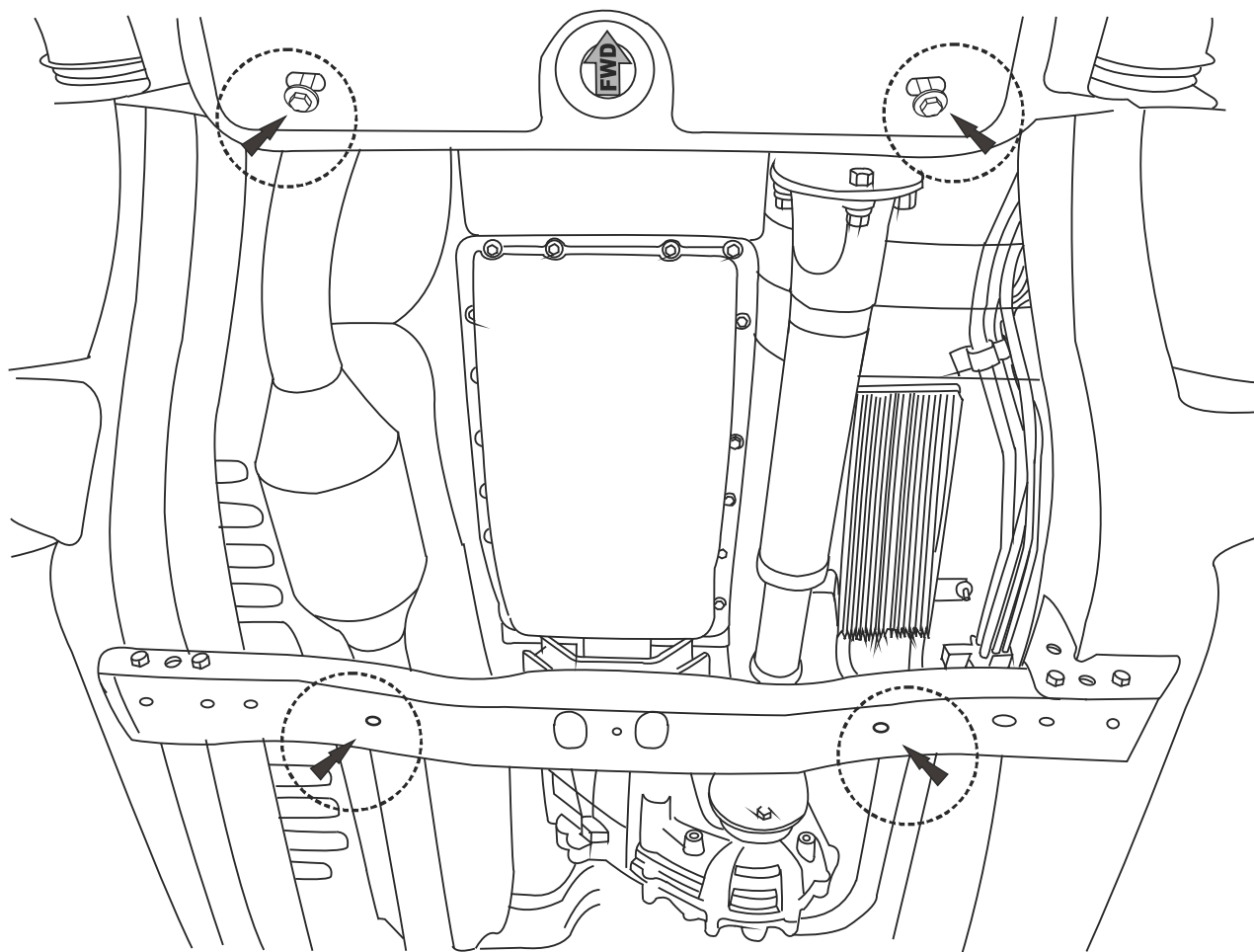


x4

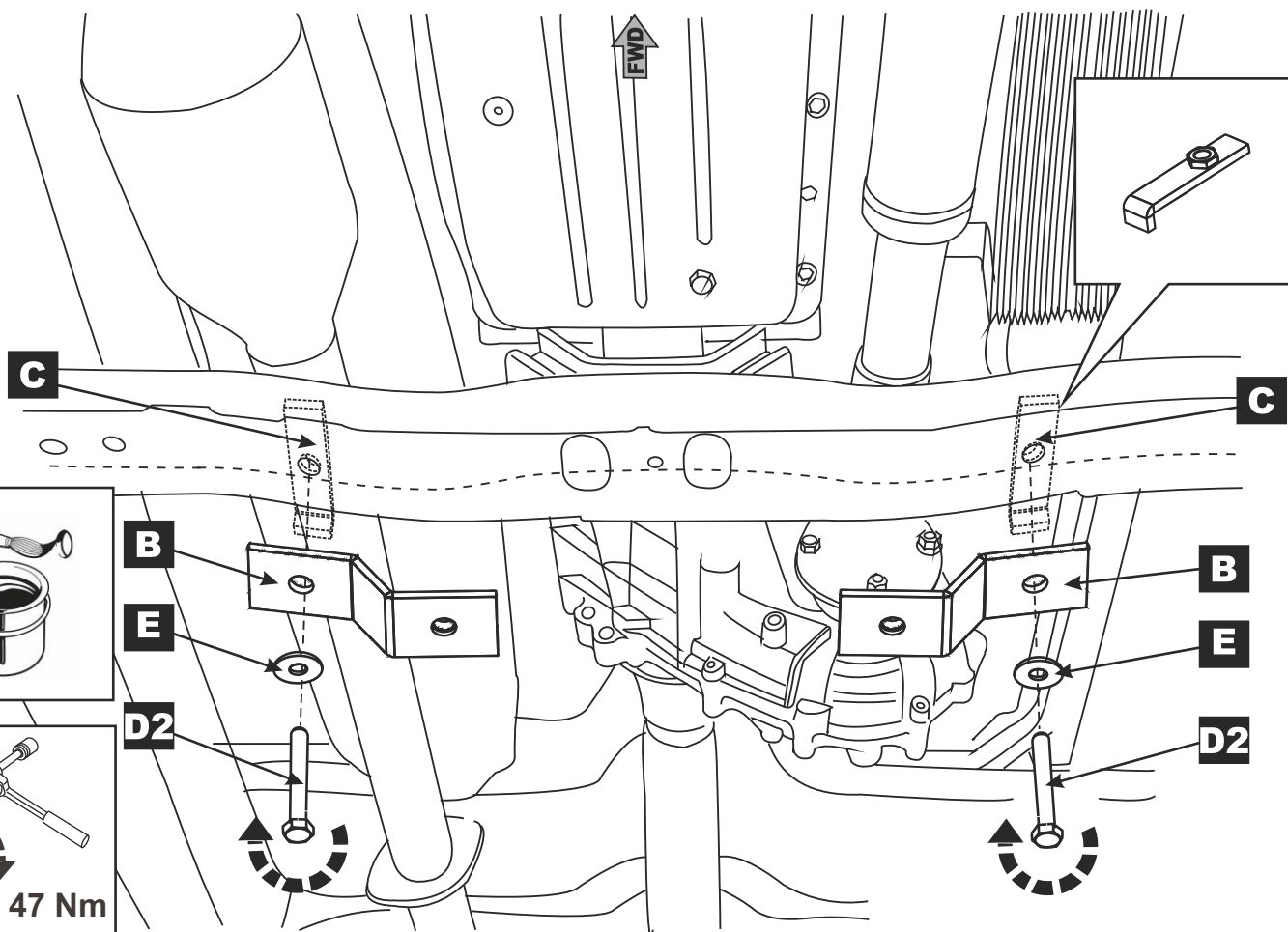
Ø10



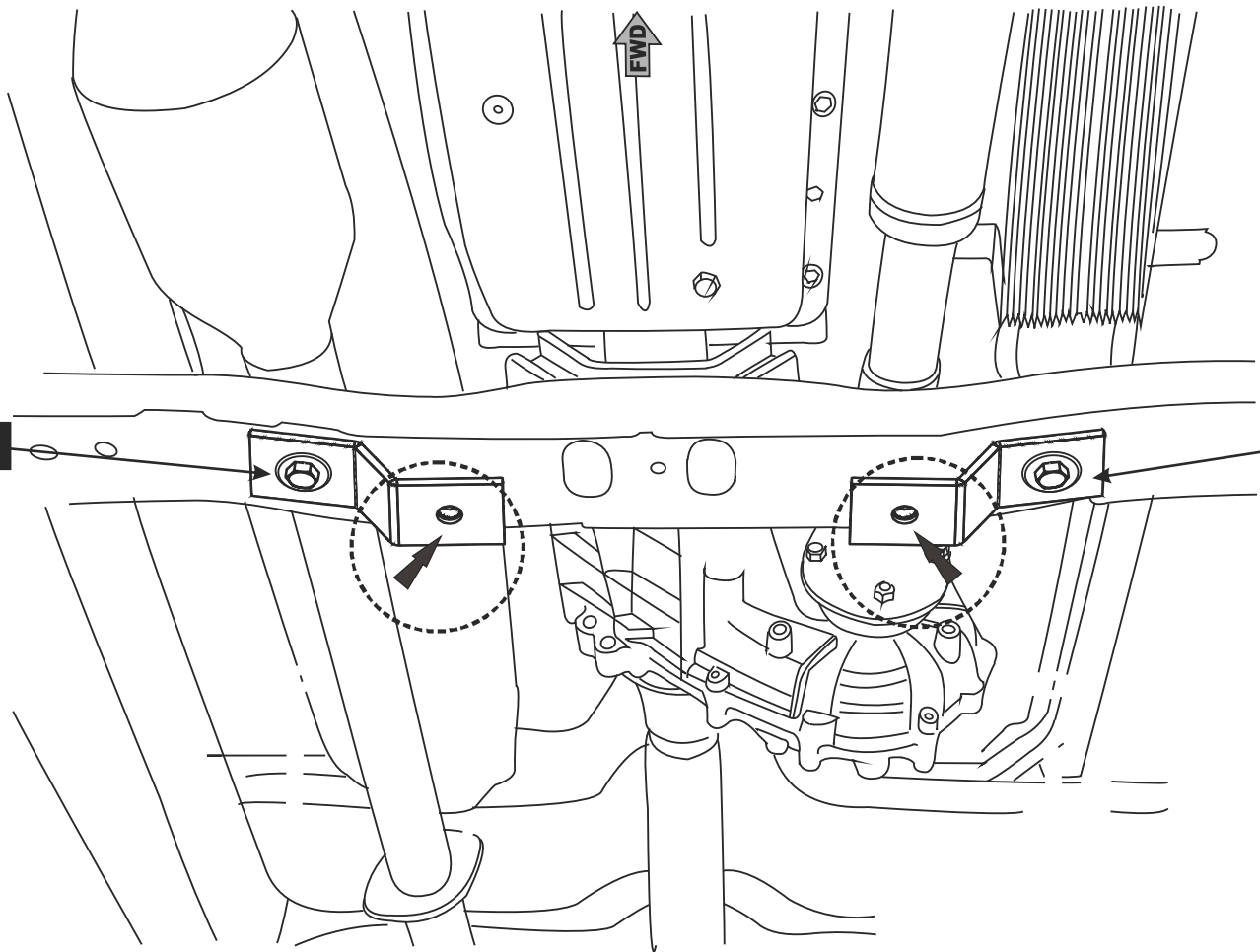
1



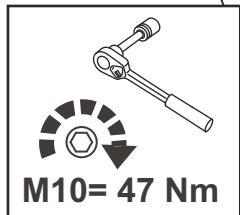
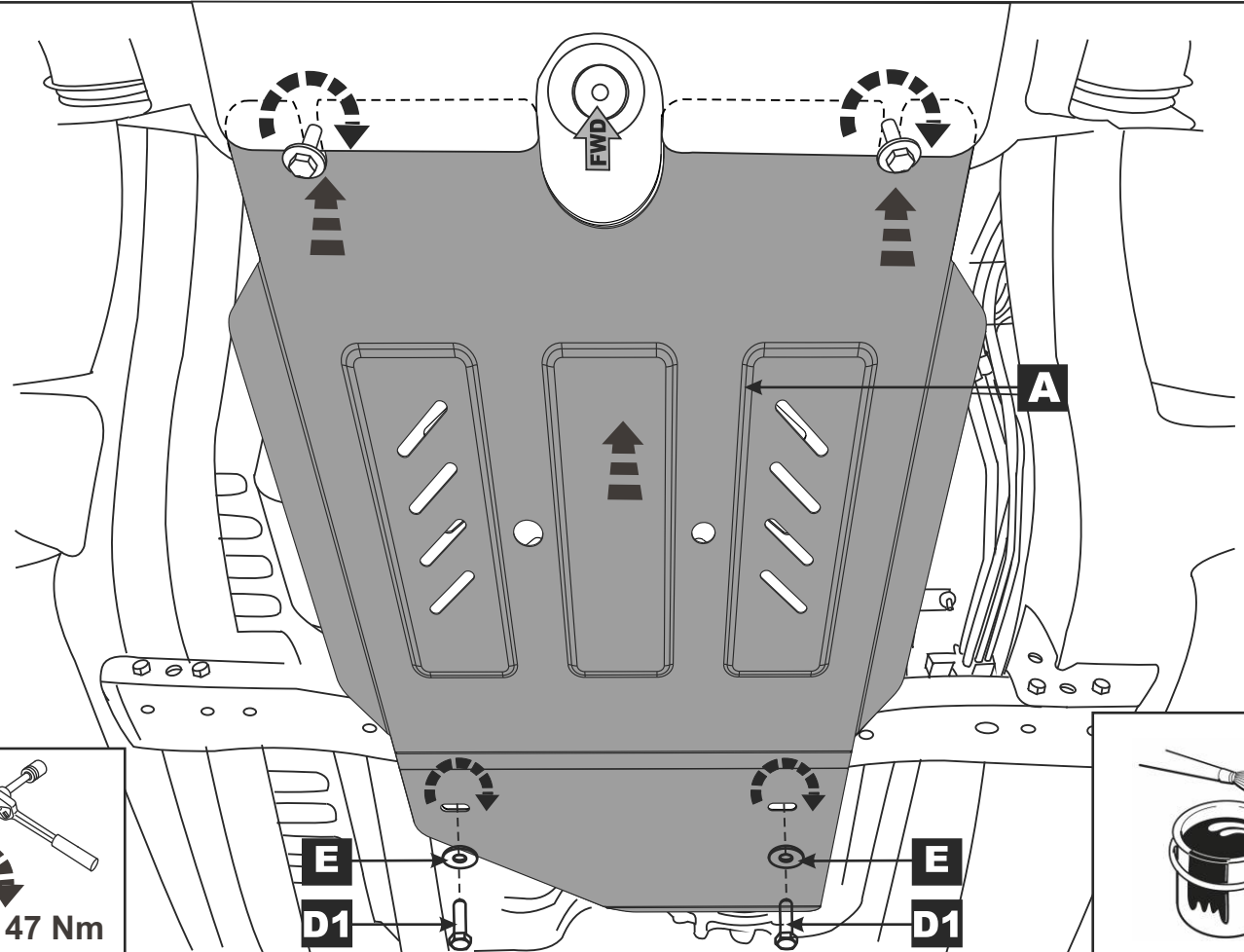
2



3



4



5

