



# Under Run AT Case and Transfer Box Protective Shield Installation Instructions

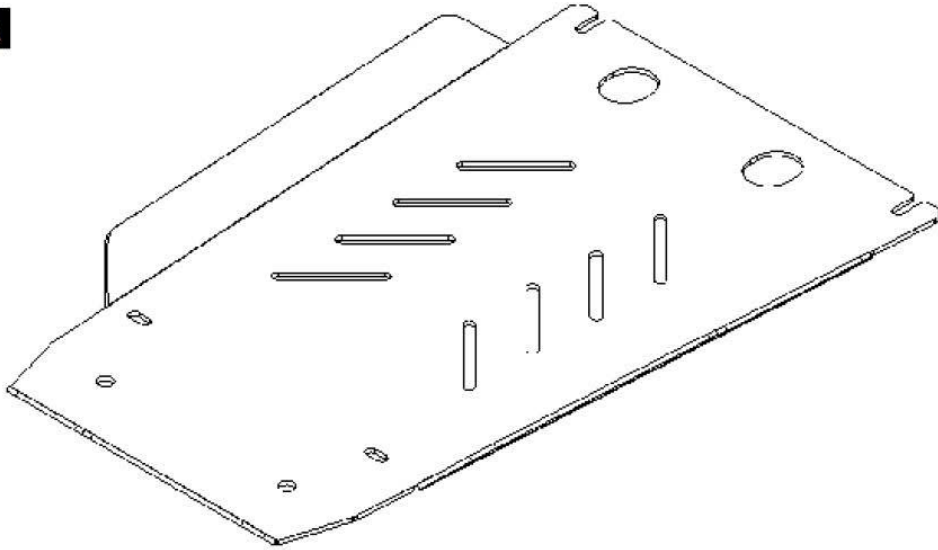
## LEXUS LX 570

## Toyota Land Cruiser 200



Model Year	LX570 2007	LC200 2007
Vehicle Code	URJ201-Gxxxxx	UZJ200L - Gxxxxx; VDJ200L - Gxxxxx
Part Number	24.1271	24.1271
 Weight	11,6 Kg	11,6 Kg
 Installation Time	10min	10min

**A**



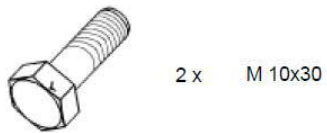
**B**



**C**



**D1**



**D2**

