



Under Run AT Case and Transfer Box Protective Shield Installation Instructions

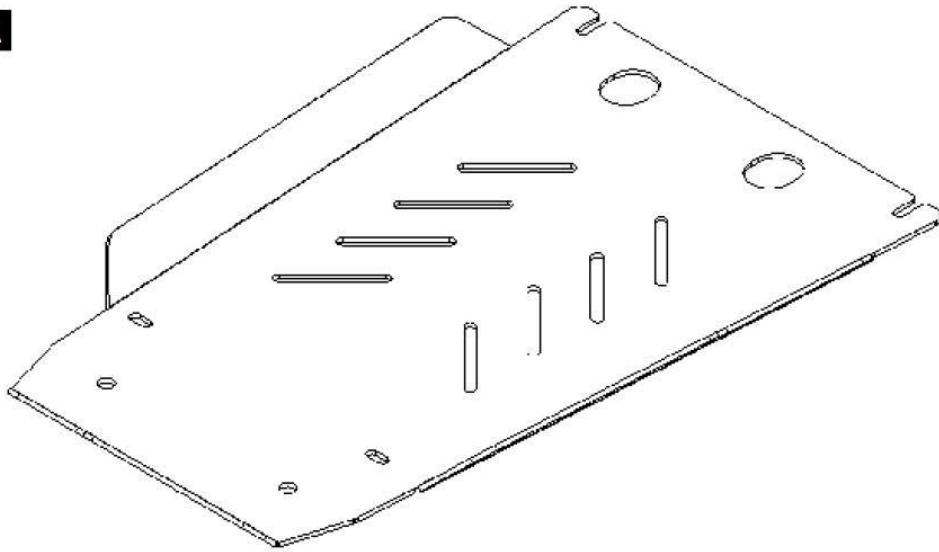
LEXUS LX 570

Toyota Land Cruiser 200



Model Year	LX570 2007	LC200 2007
Vehicle Code	URJ201-Gxxxxx	UZJ200L - Gxxxxx; VDJ200L - Gxxxxx
Part Number	24.1276	24.1276
 Weight	6,2 Kg	6,2 Kg
 Installation Time	10min	10min

A



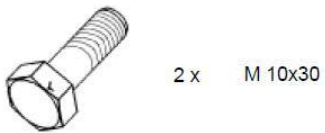
B



C



D1



D2

