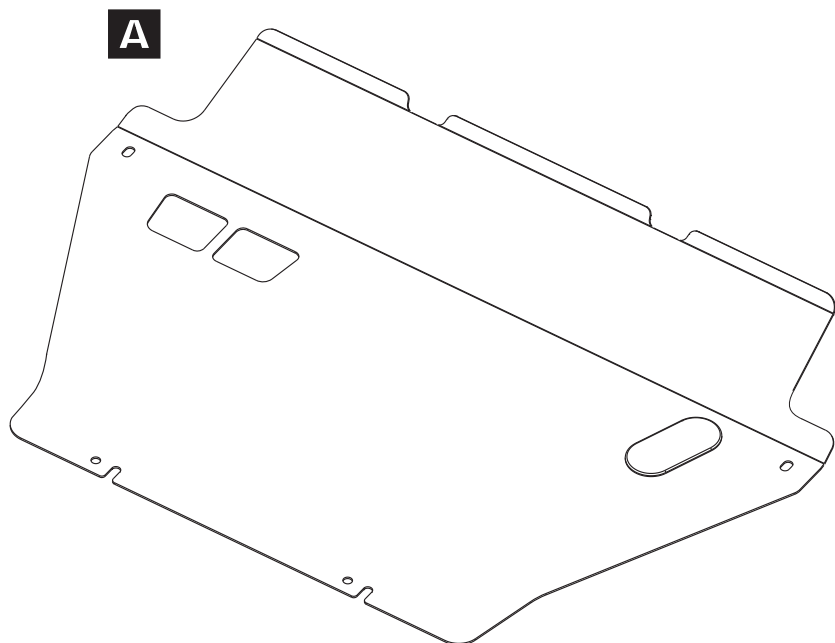


Installation instructions for 24.1814

TOYOTA RAV 4

Model Year 2010



PZ4AL- 01814- 60

B1



2 x M 10x20

B2



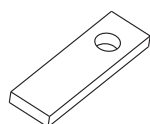
2 x M 10x100

C



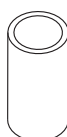
4 x Ø10

D



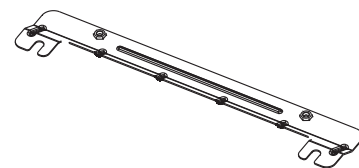
x2 SD3003

E

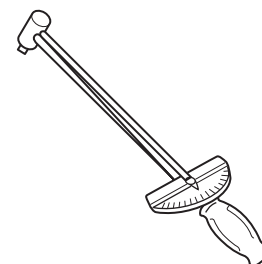
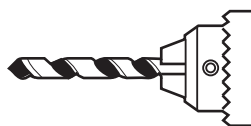
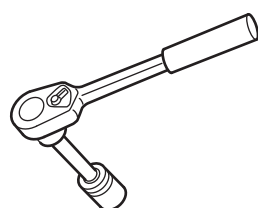


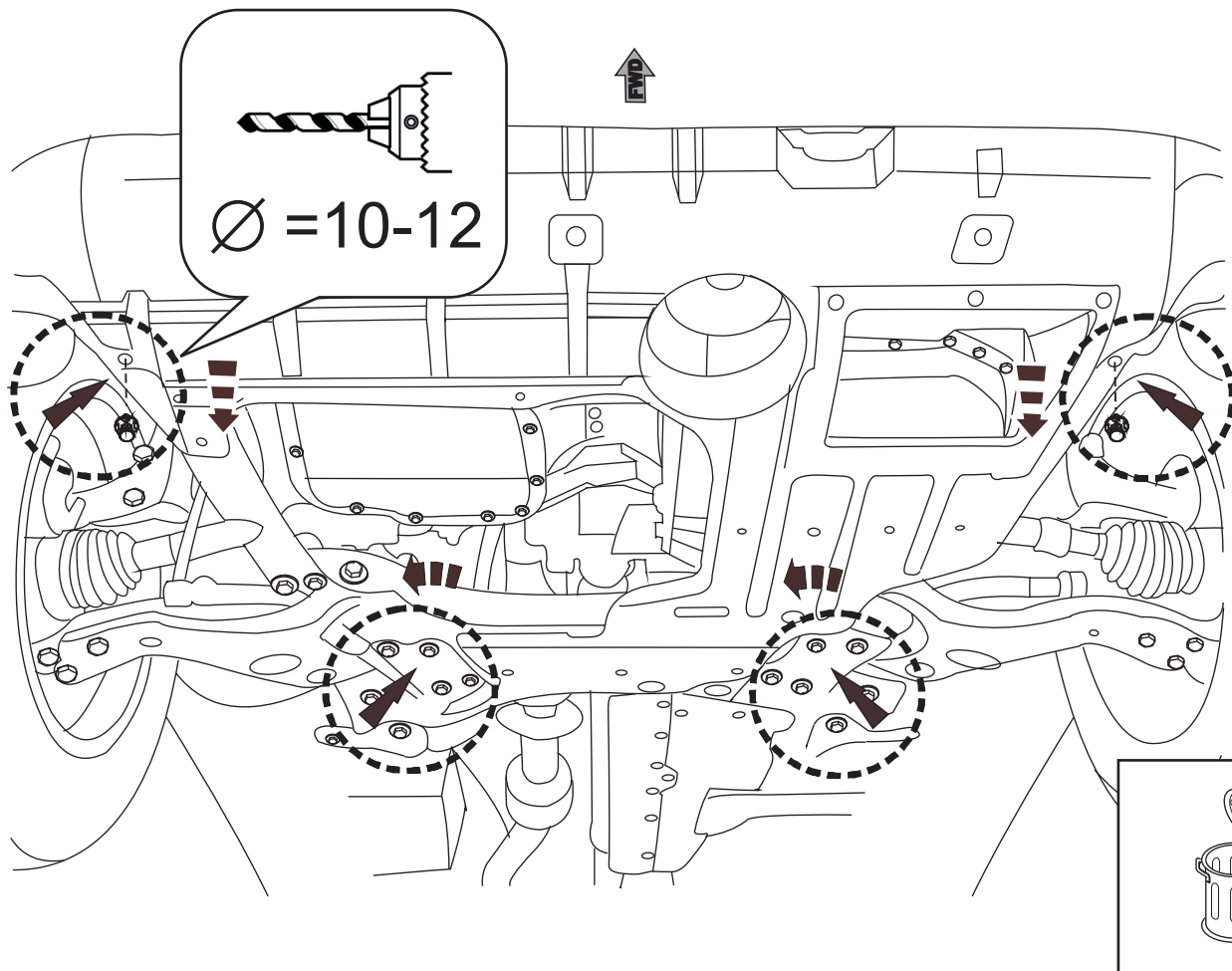
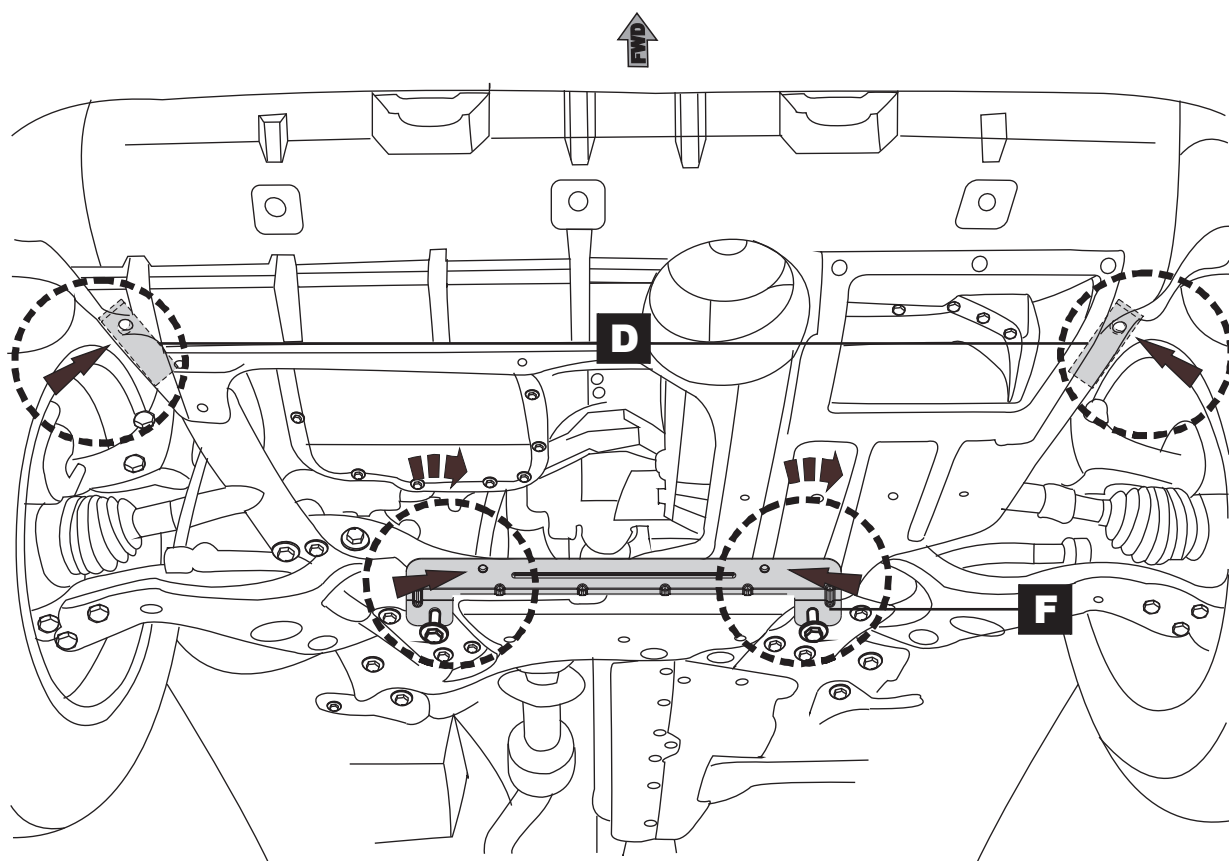
x2 SD20007

F

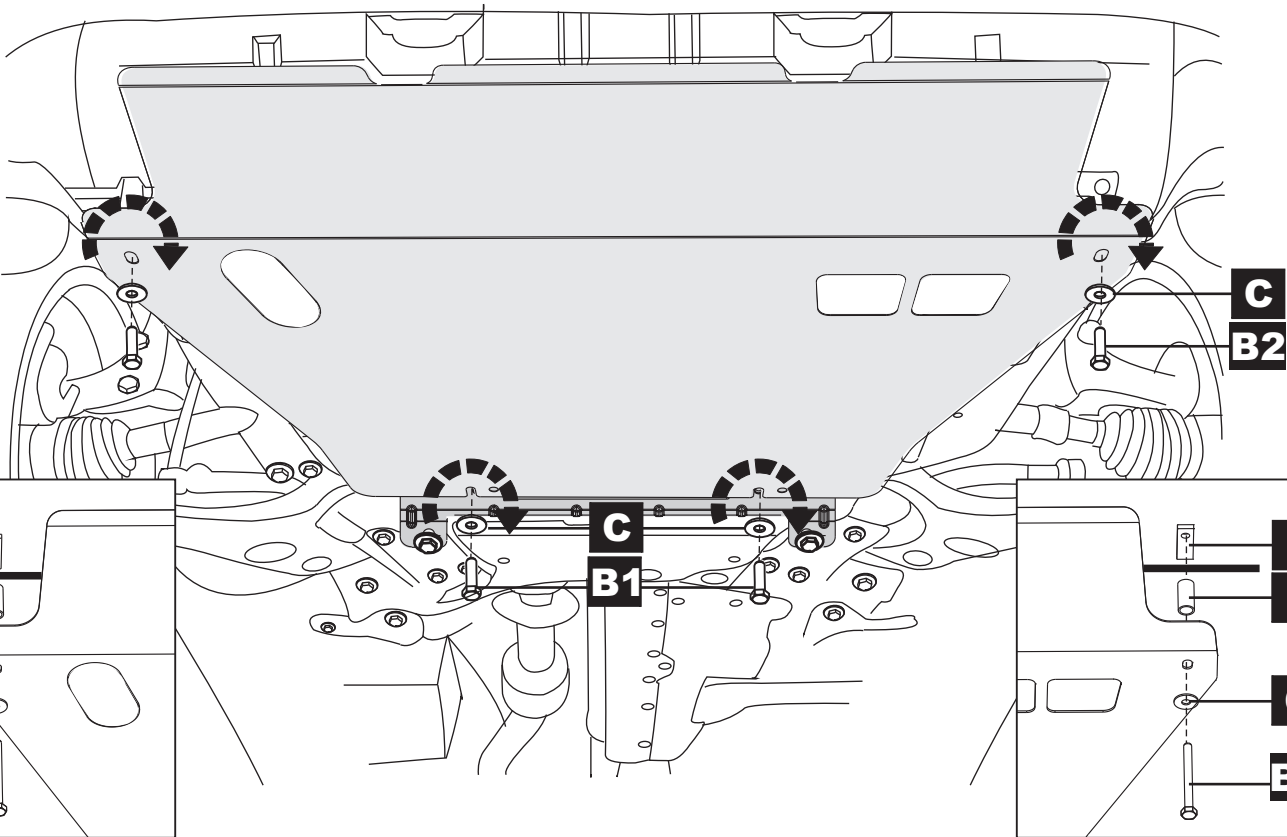


x 1

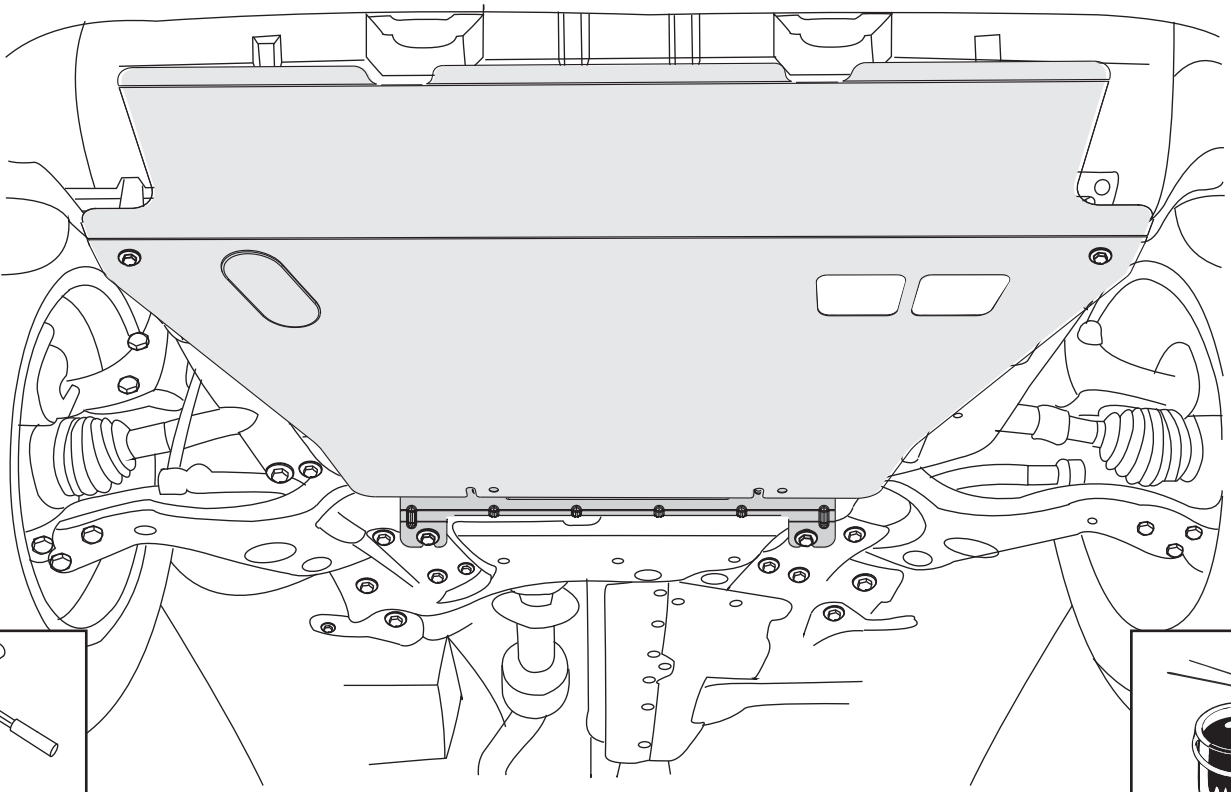


1**2**

3



4



M10= 47 Nm