

## TOYOTA RAV 4

Under Run Protective Shield



Model Year

2010

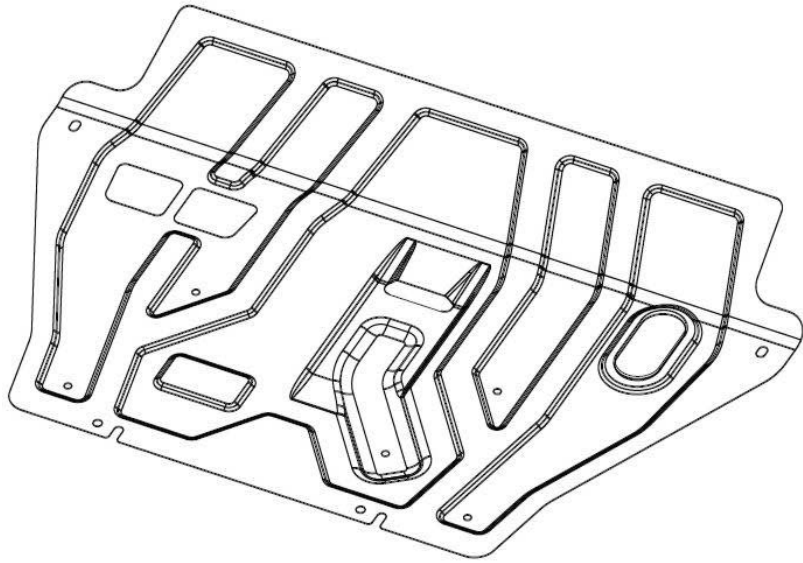
Vehicle Code

ZSA3\*L-BW\*\*\*W; ALA3\*L-BW\*\*\*W

**24.1876**

**24.1897**

**A**



**B1**



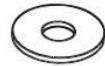
2 x M 10x20

**B2**



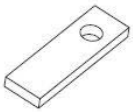
2 x M 10x100

**C**



4 x Ø10

**D**



x2 SD3003

**E**

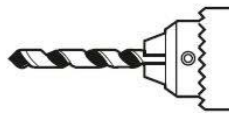
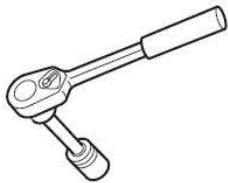


x2 SD20007

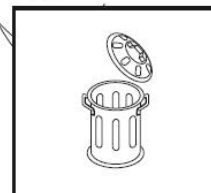
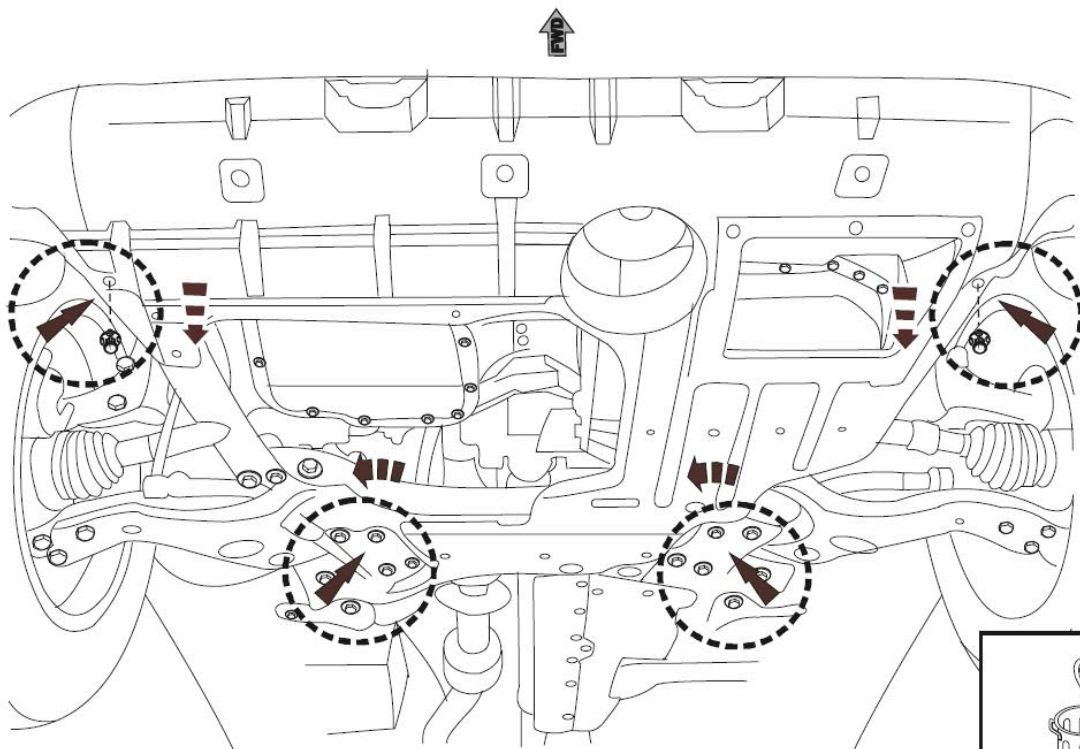
**F**



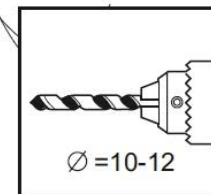
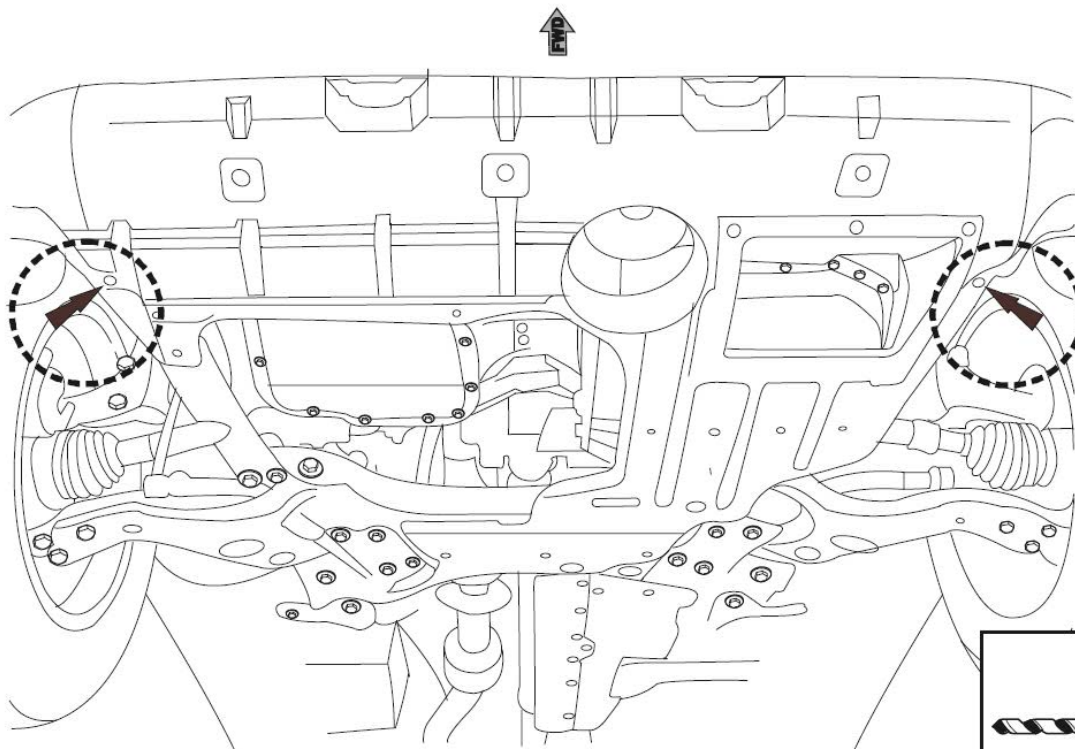
x 1



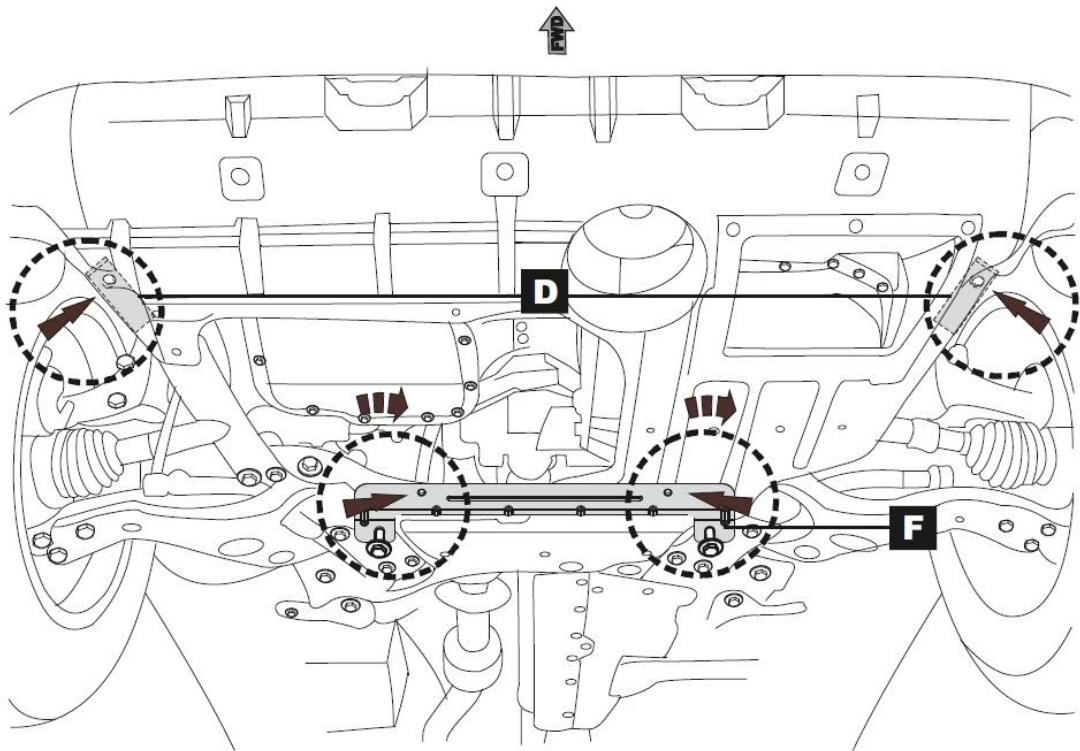
1



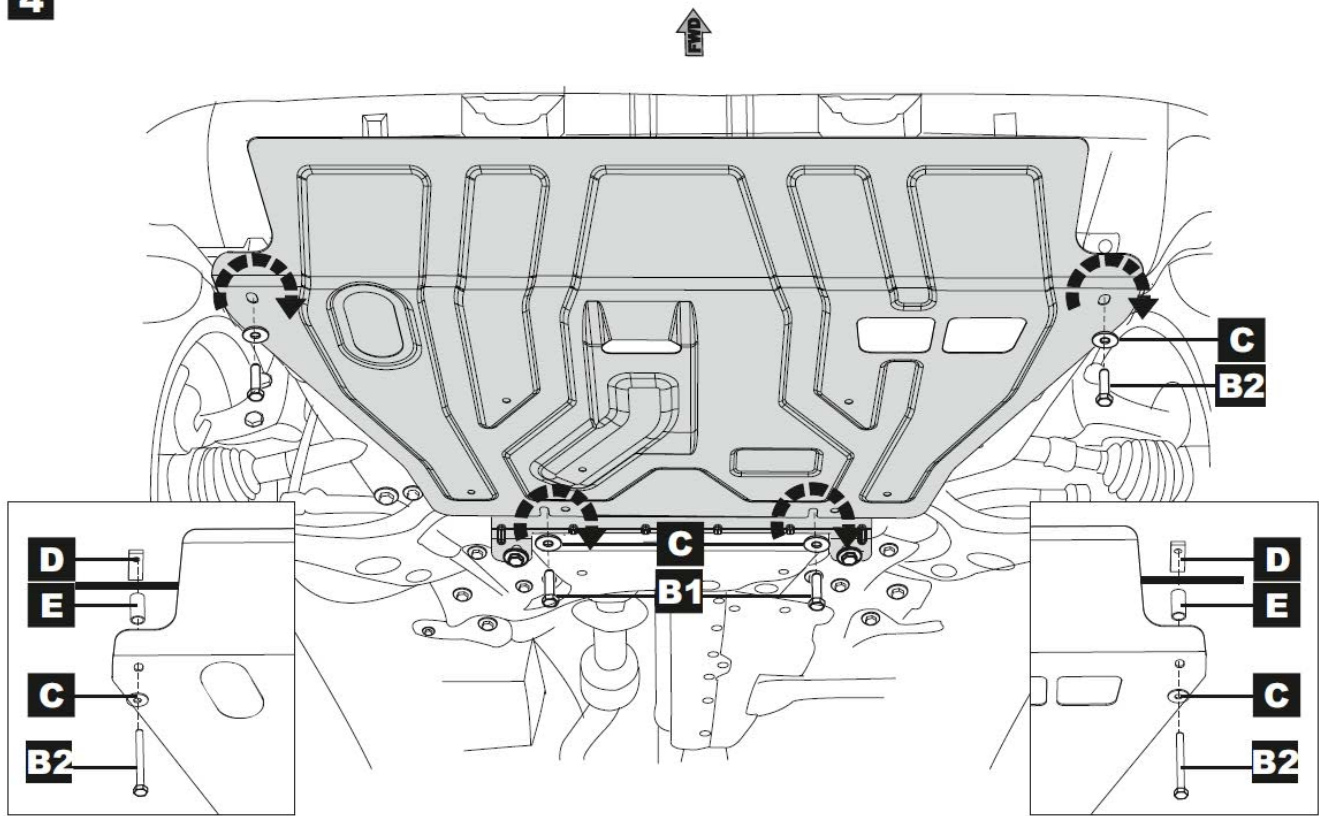
2



**3**



**4**



**5**

