


Installation instructions for PZ4AL- 01898-00

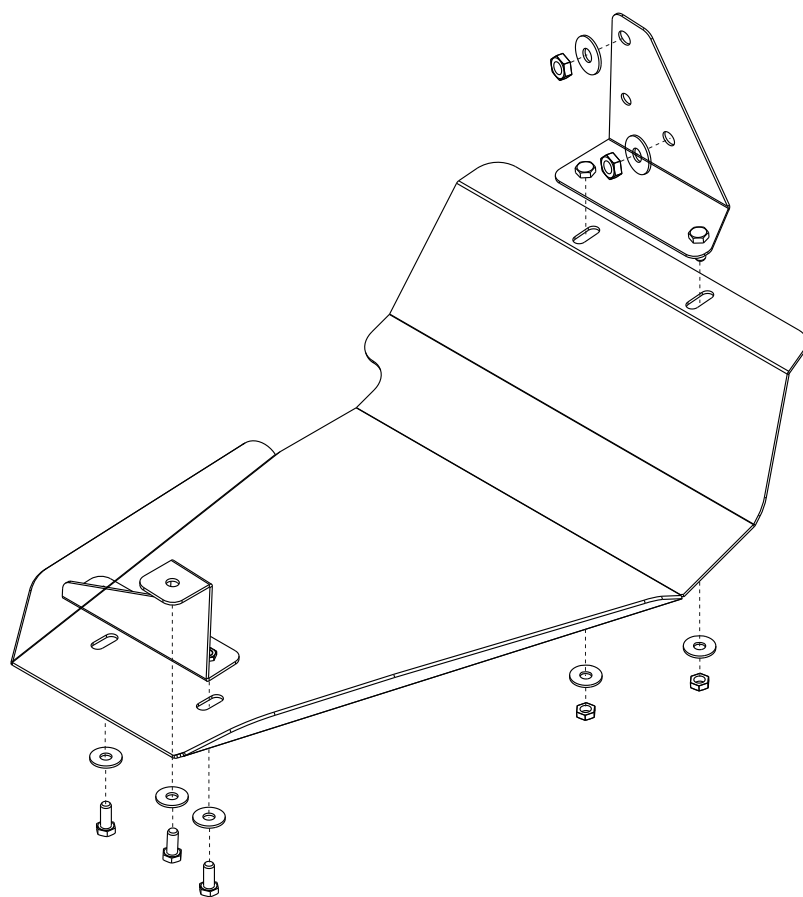
TOYOTA Hiace

Under Run Protective Shield



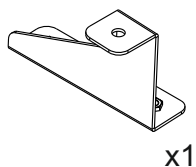
Model Year	2009-
Vehicle Code	TRH223L-LEMNKX
Part Number	PZ4AL- 01898- 00
 Weight	5,08 Kg
 Installation Time	15-30 min

A



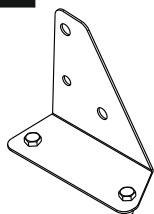
PZ4AL- 01898- 00

B1



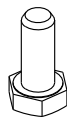
x1

B2



x1

C



x3 M 8x20

D1



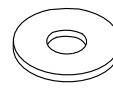
x2 Ø 8

D2



x2 Ø 10

N1

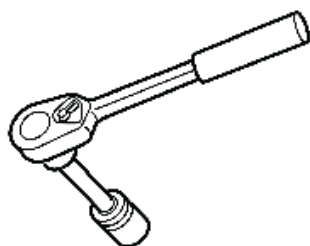


x5 Ø 8

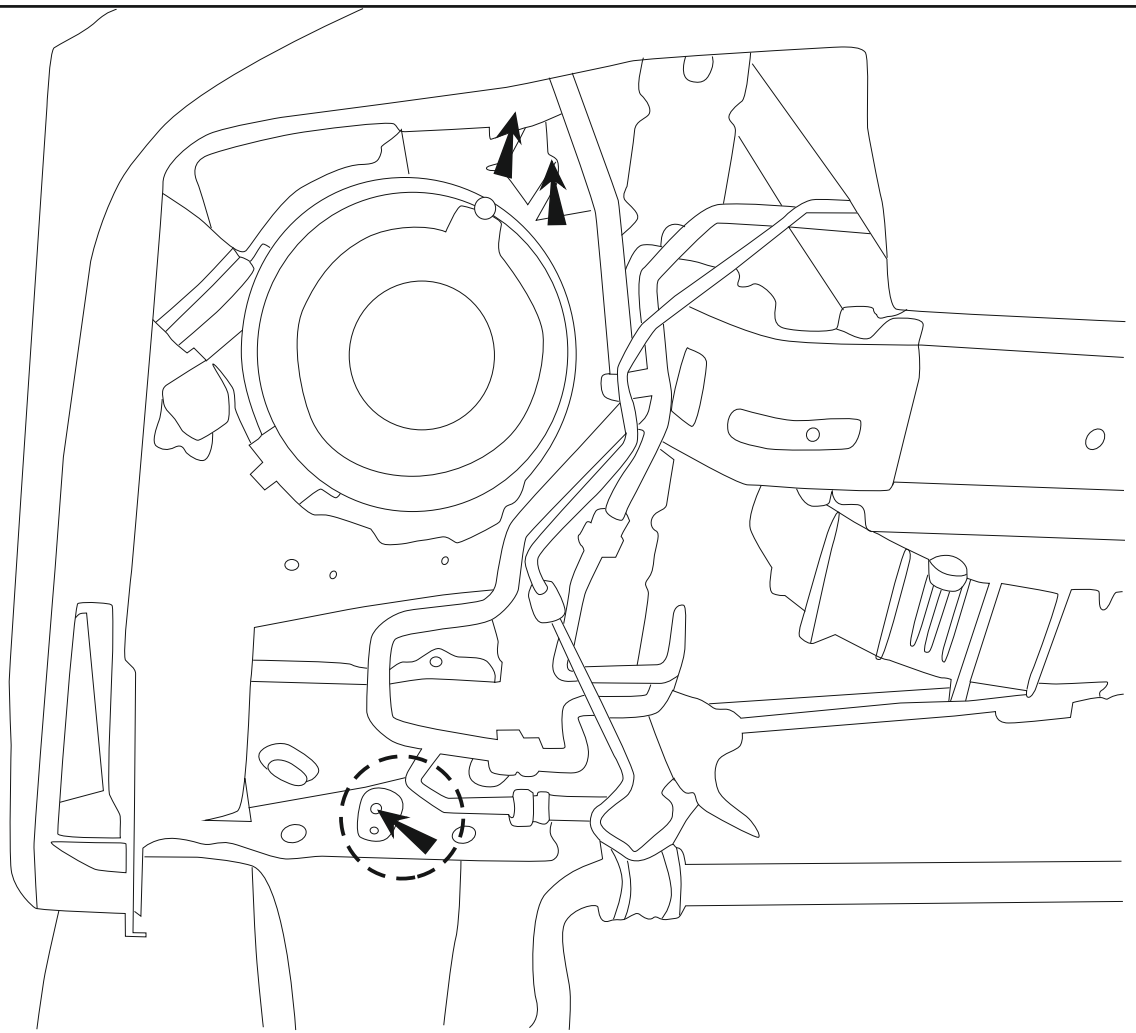
N2



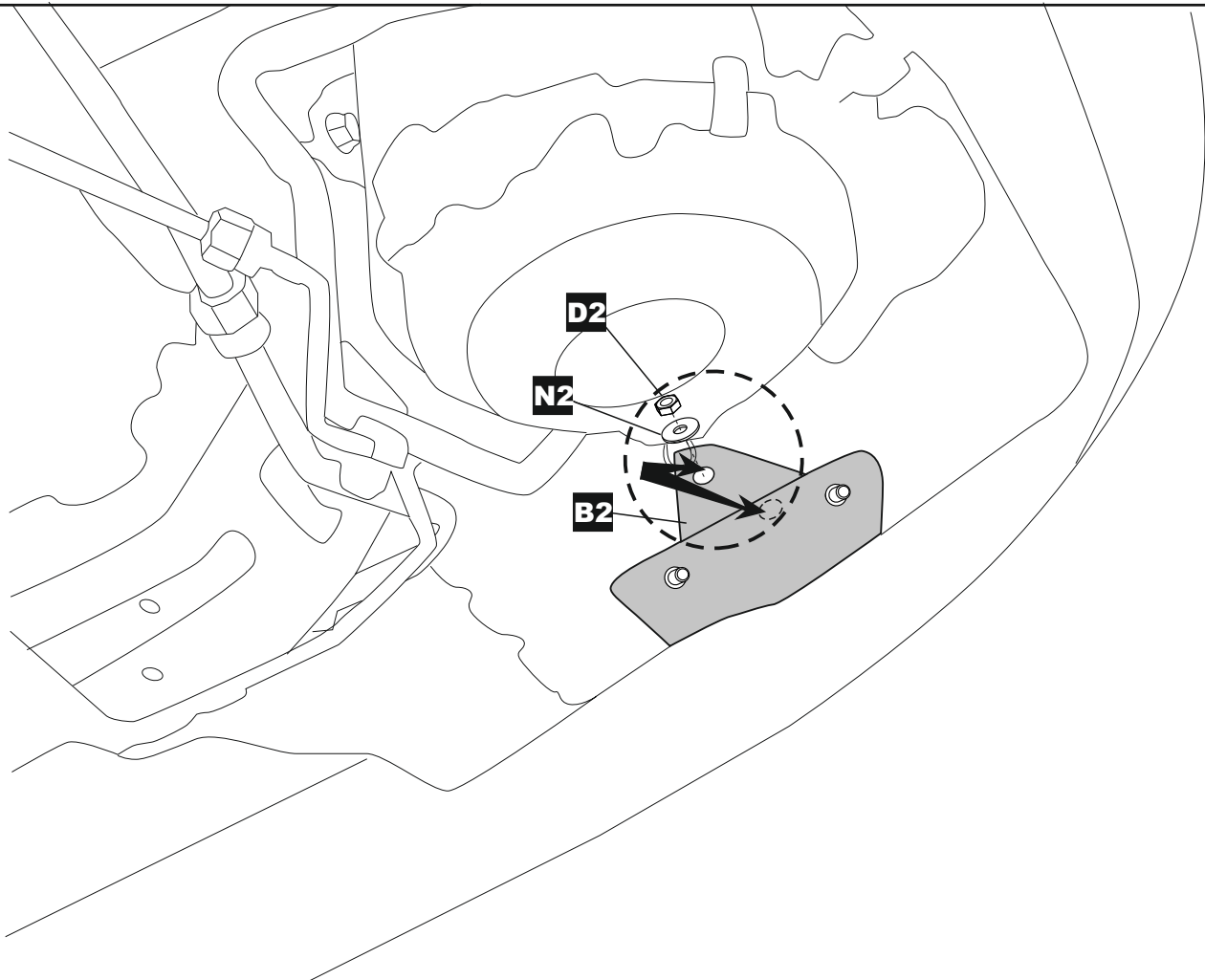
x2 Ø 10



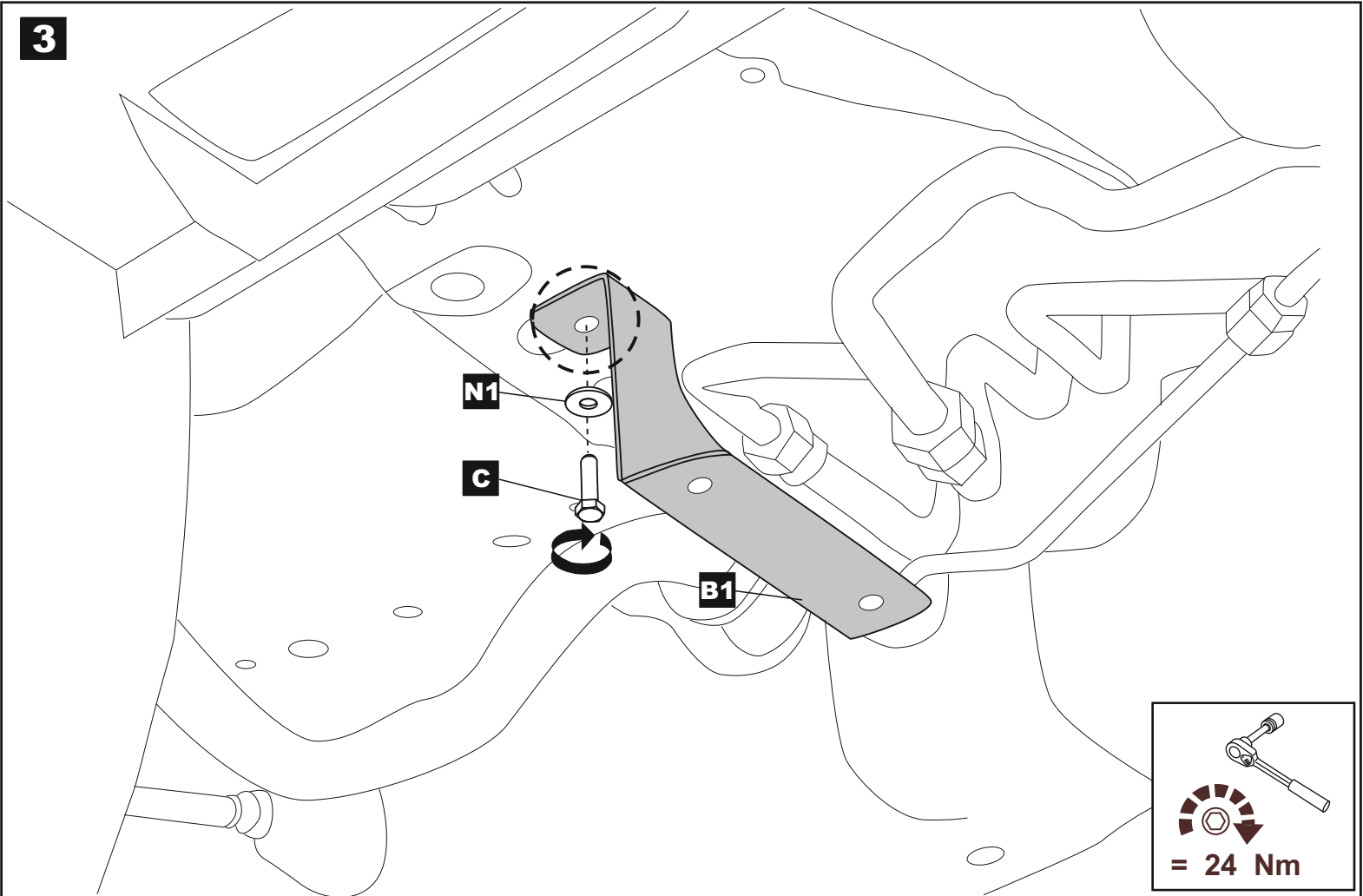
1



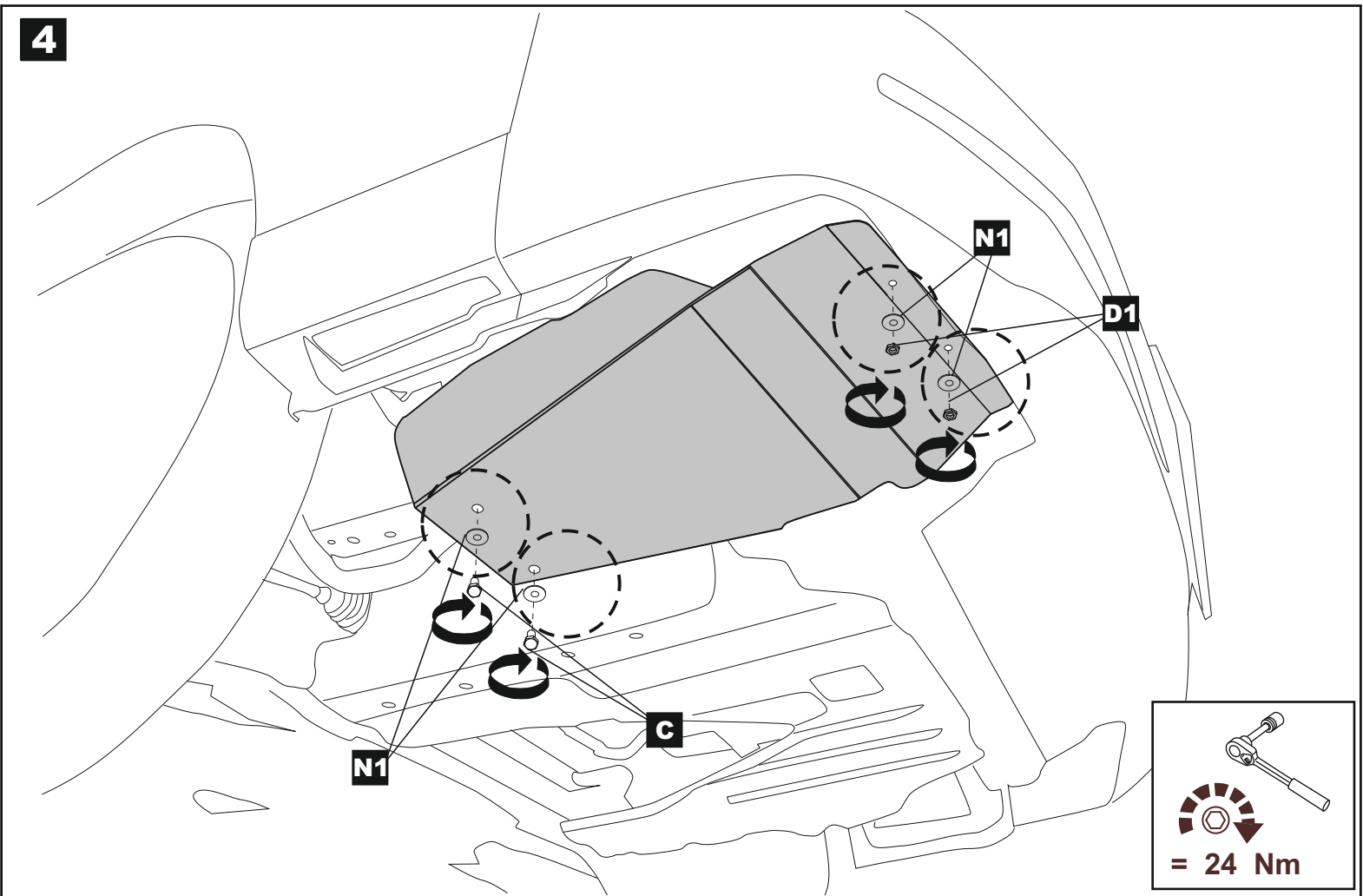
2



3



4



Part number:
PZ4AL- 01898- 00

Issue:
0

Date:
28/12/10

Page:
4/5

5

