



# Installation instructions for PZ4AL- 01927-00, PZ4AL-01928-00 Under Run Protective Shield

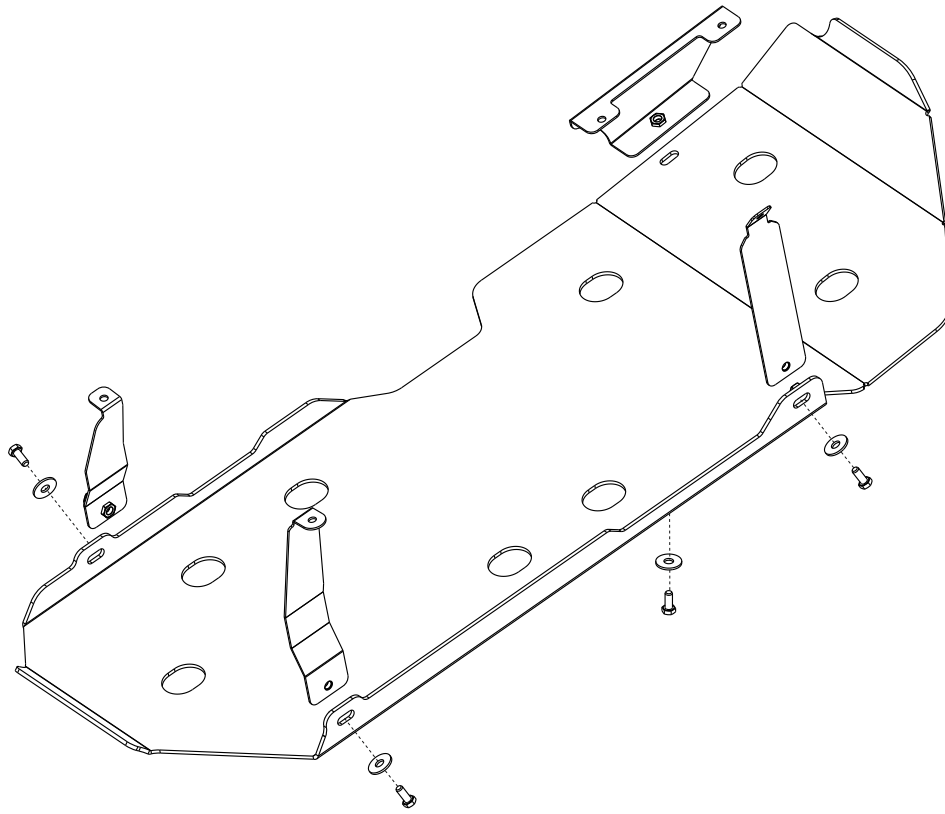
## LEXUS GX 460

## Toyota Land Cruiser 150



Model Year	GX460	LC150 Diesel;	LC150 Petrol
Vehicle Code	URJ150L - GKTZKW;	KDJ15* L - G * * * YW; GRJ150L - G * * * KW	
Part Number		Steel:	PZ4AL- 01927- 00
		Aluminium:	PZ4AL- 01928- 00
 Weight		Steel:	13.49 Kg
		Aluminium:	9.81 Kg
 Installation Time			40min

**A**



PZ4AL- 01927- 00, PZ4AL- 01928

**B1**



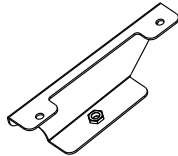
1x

**B2**



1x

**B3**



1x

**B4**



1x

**B5**



M 10x20

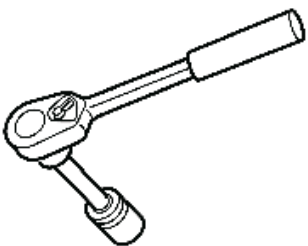
4x

**N**

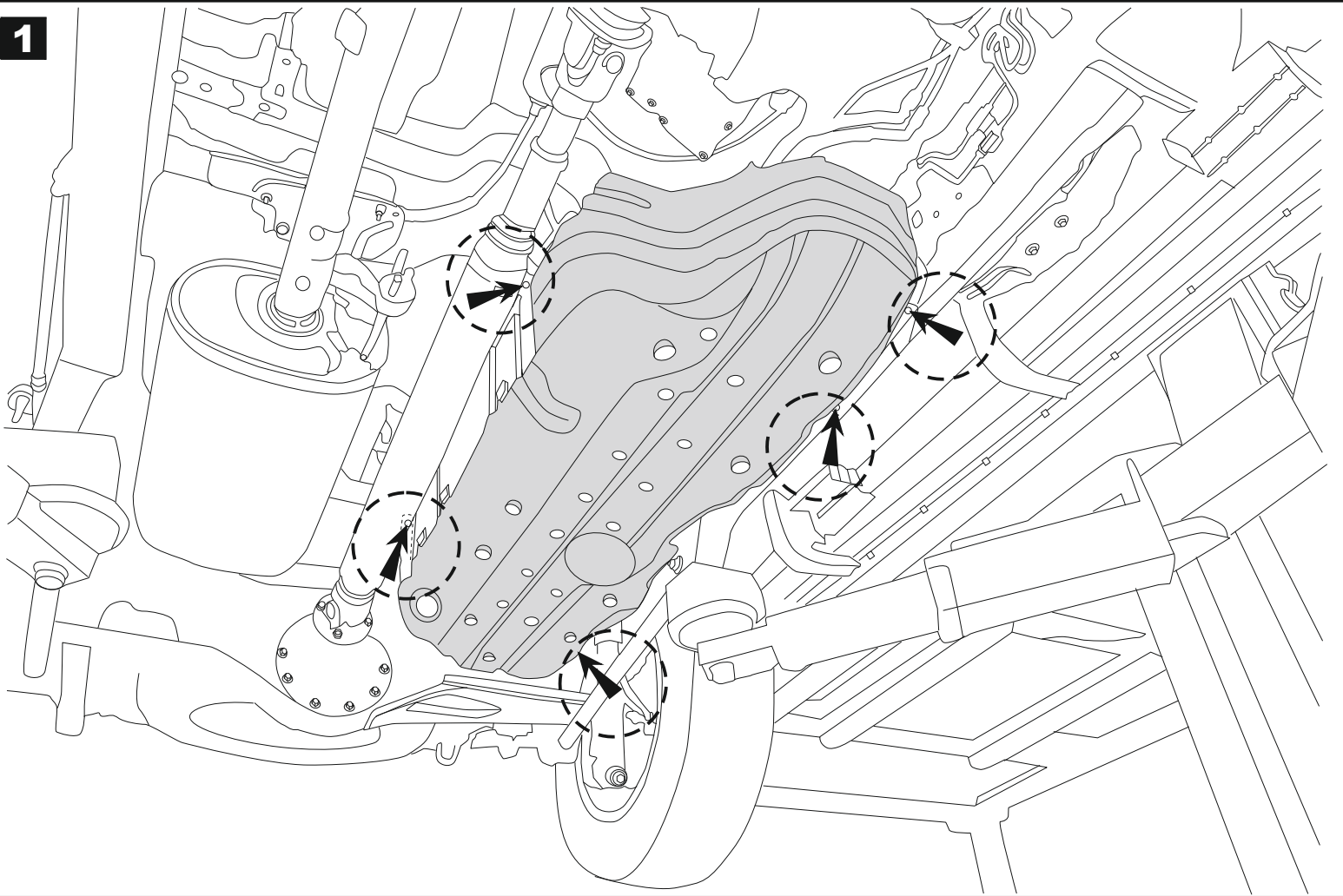


Ø 10

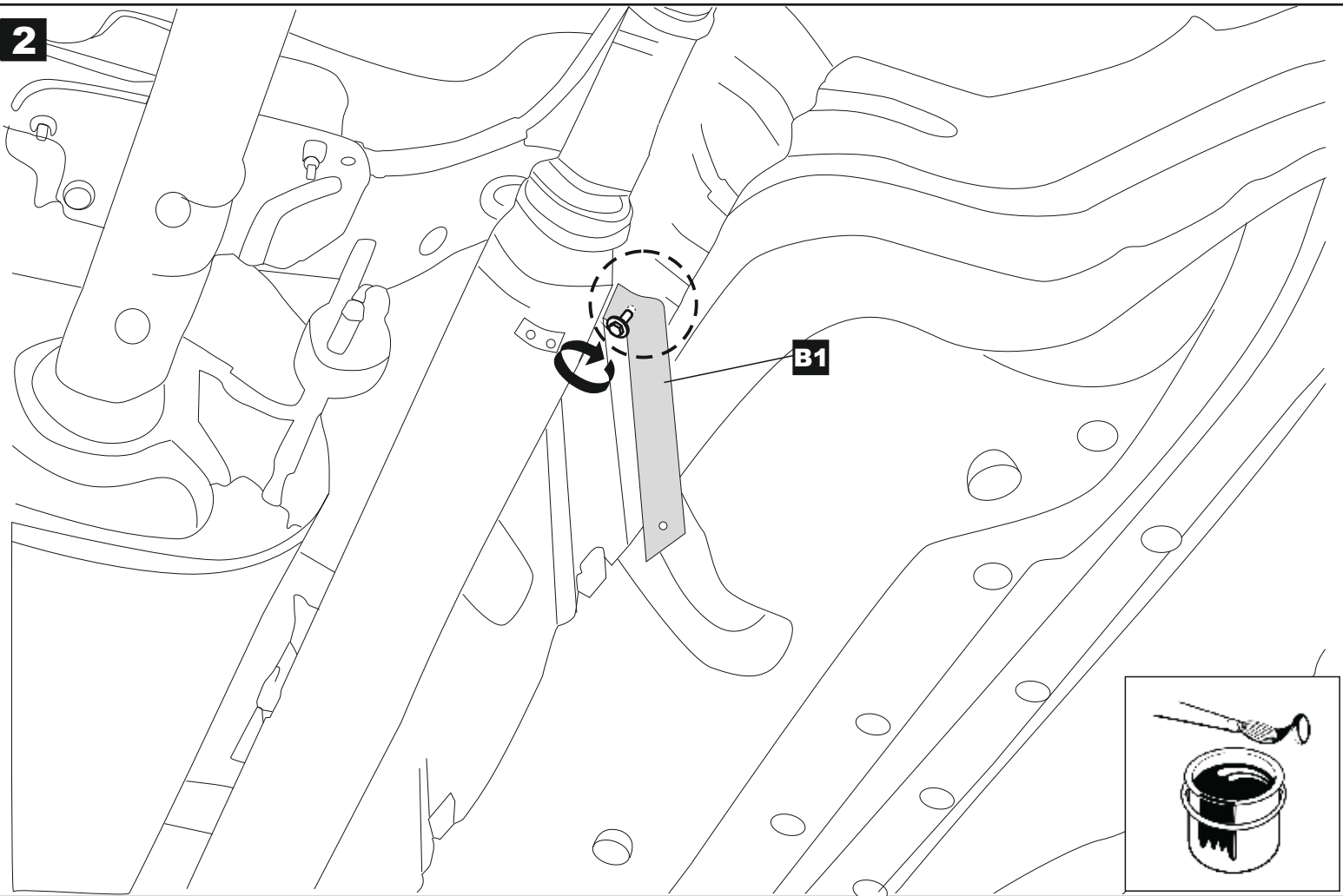
4x



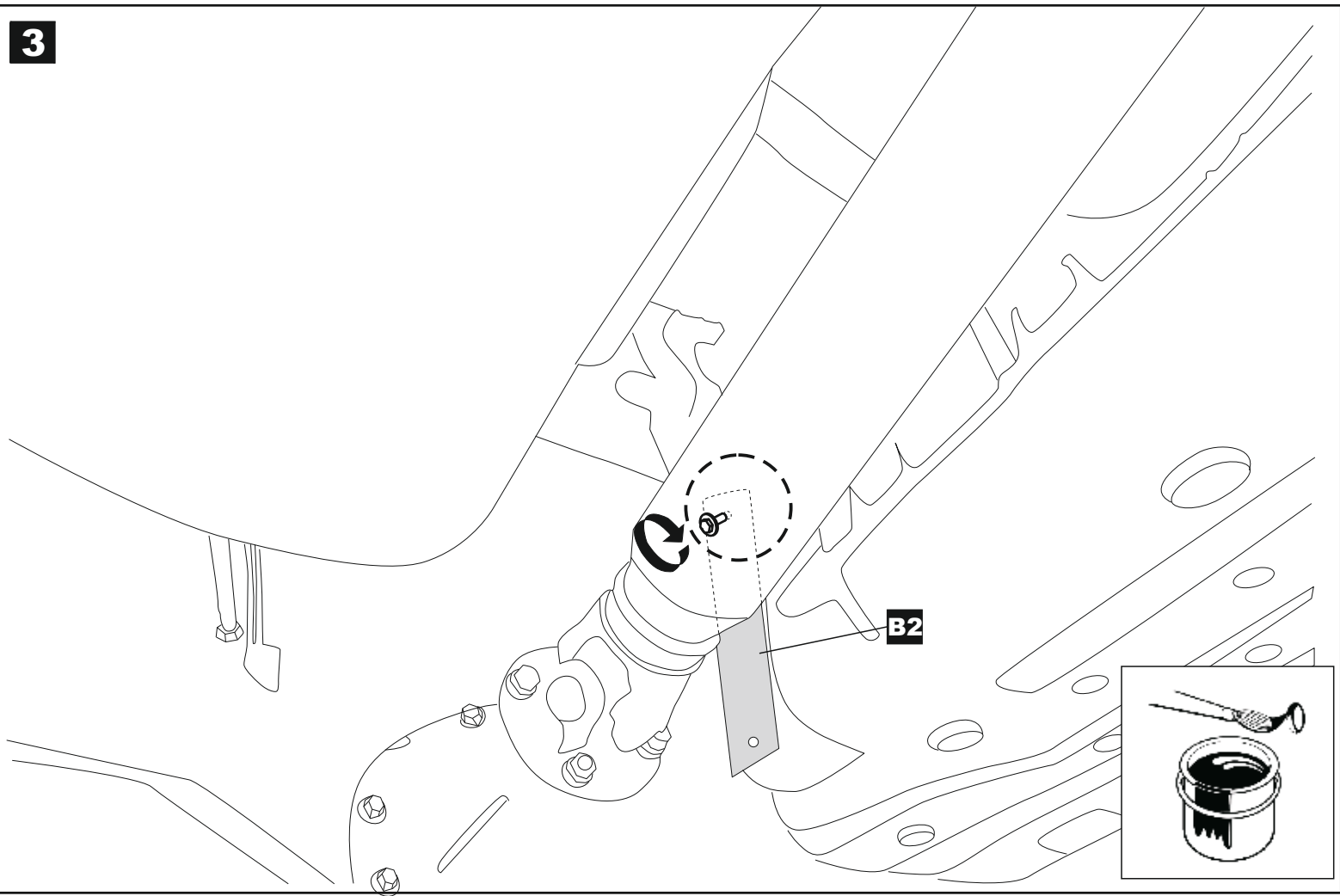
**1**



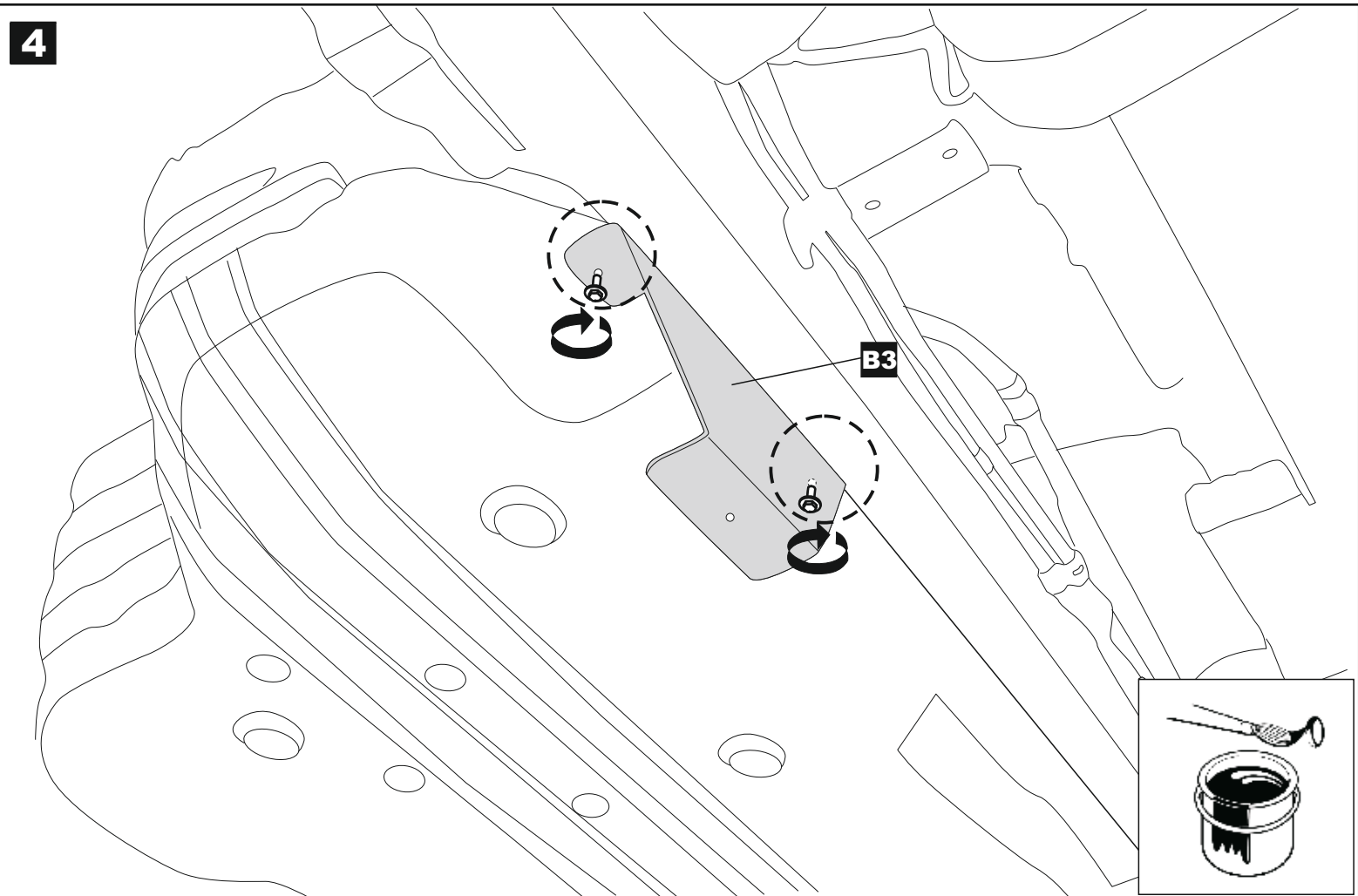
**2**



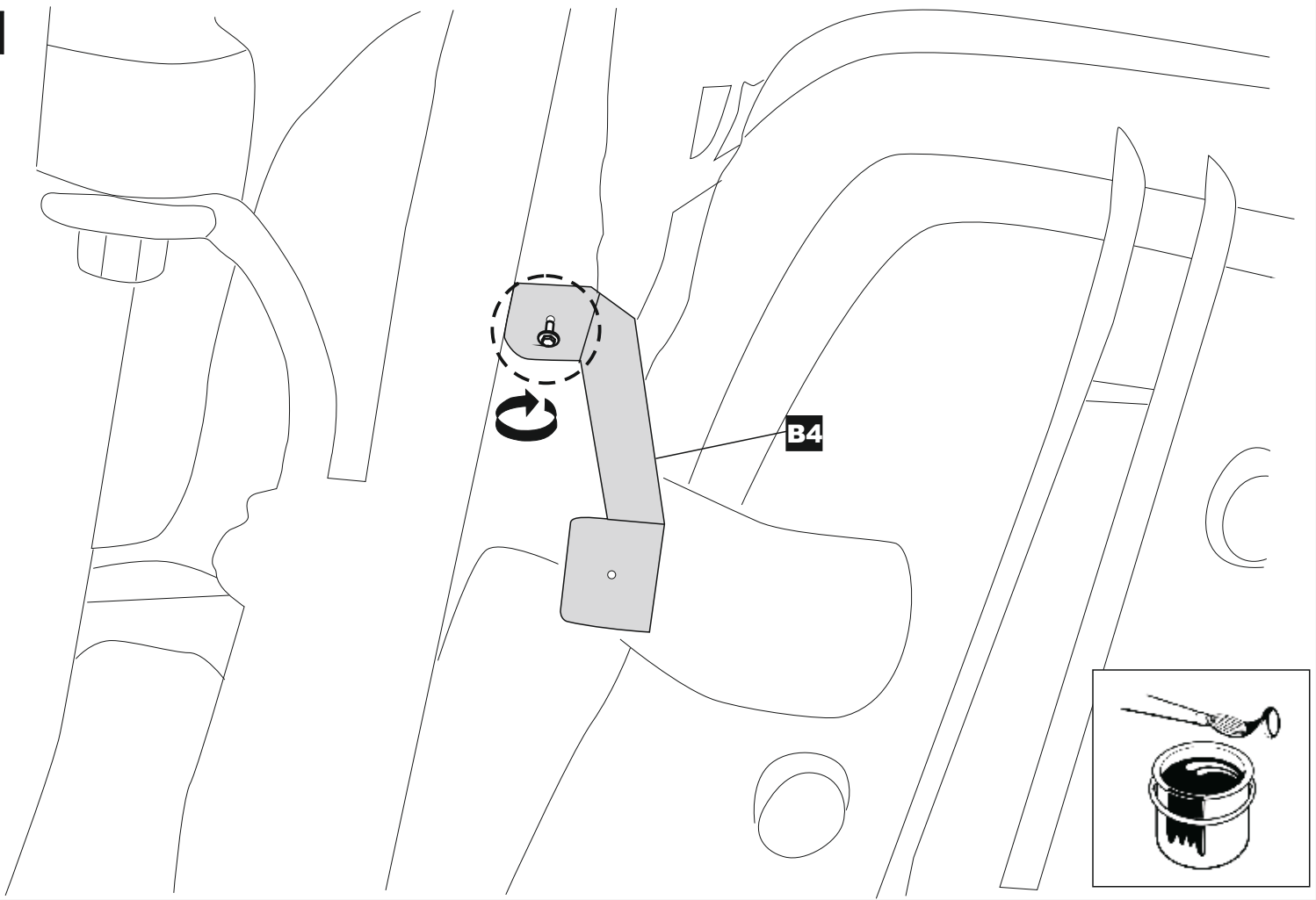
**3**



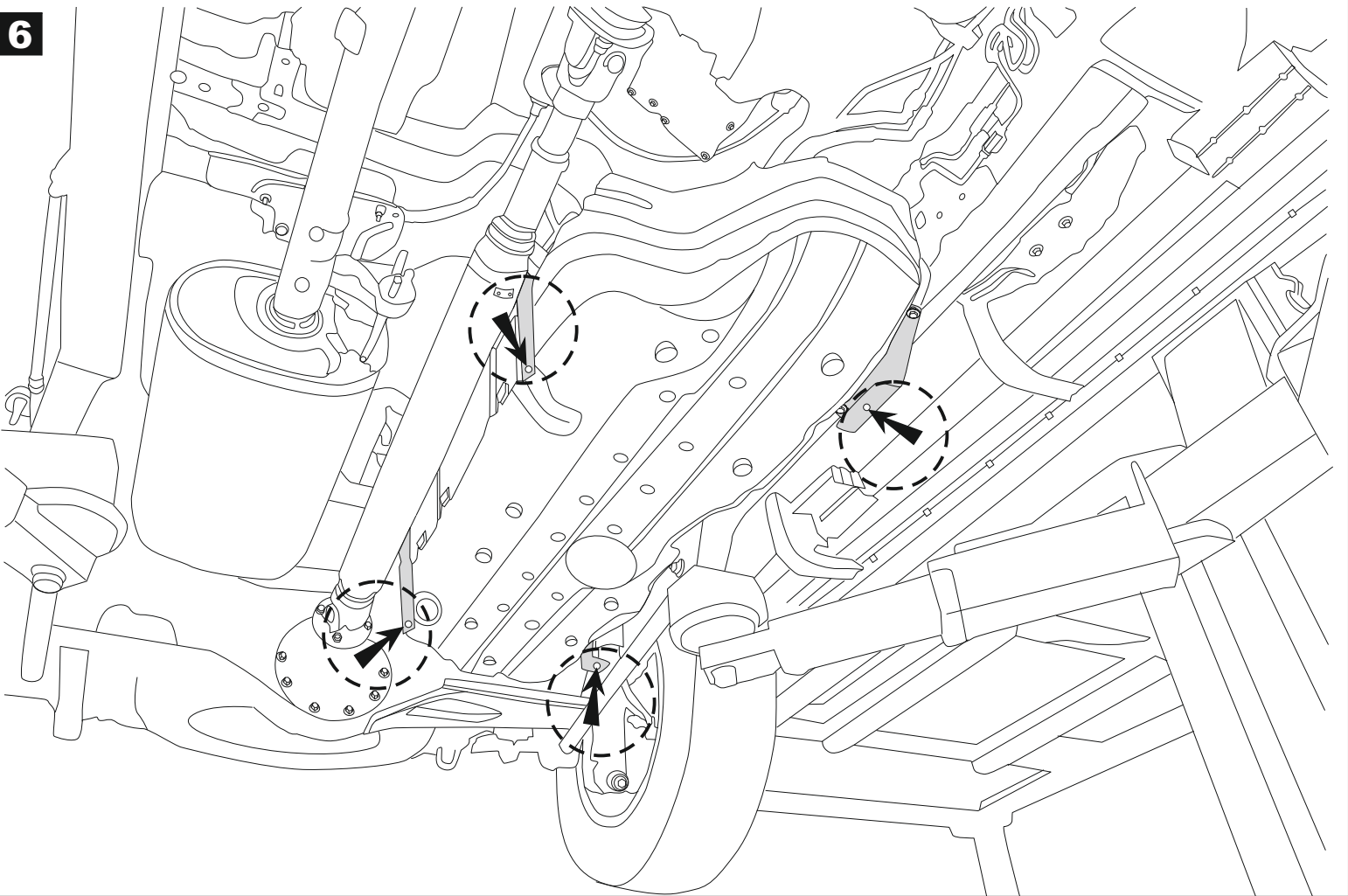
**4**



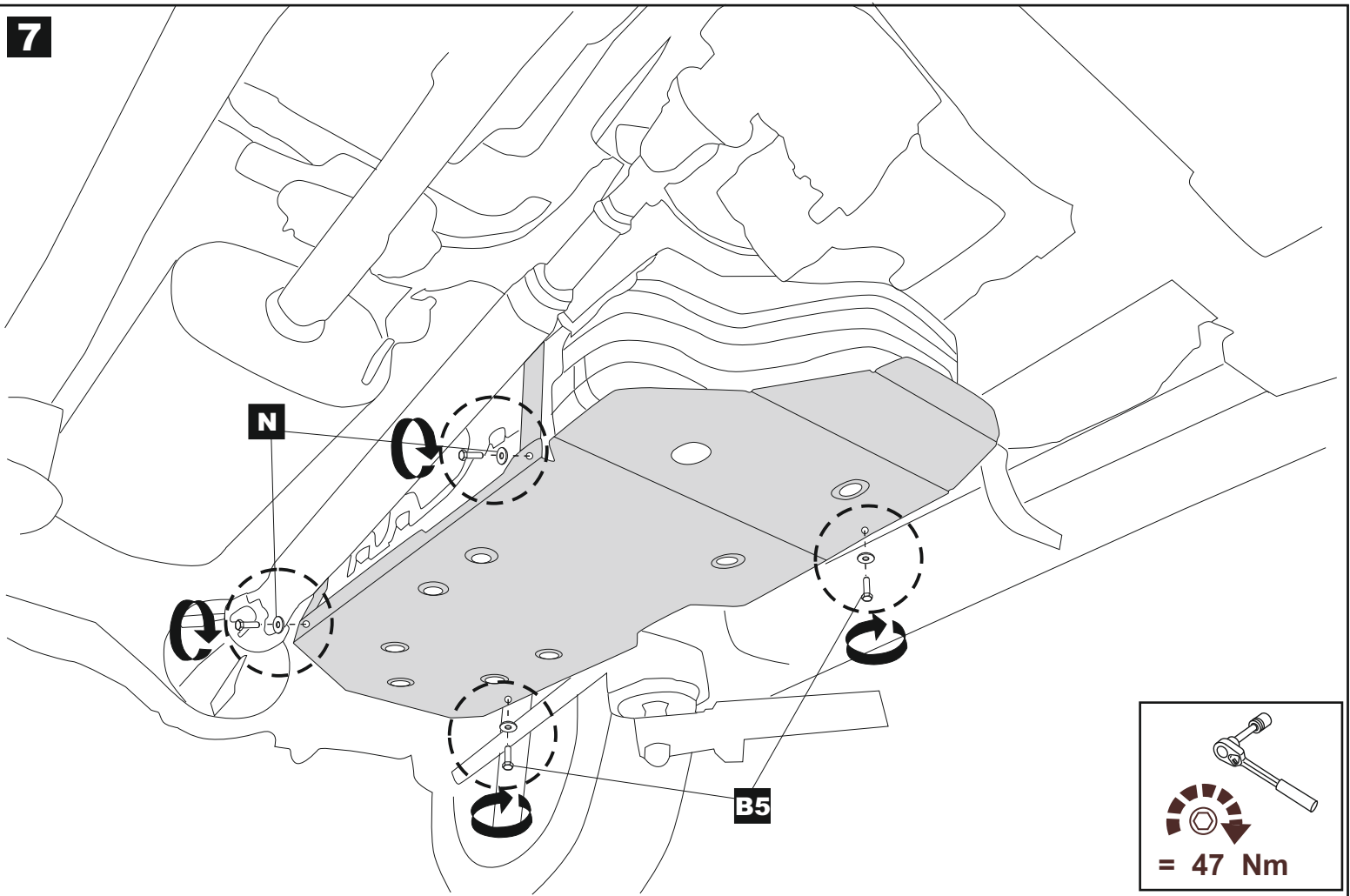
**5**



**6**



7



8

